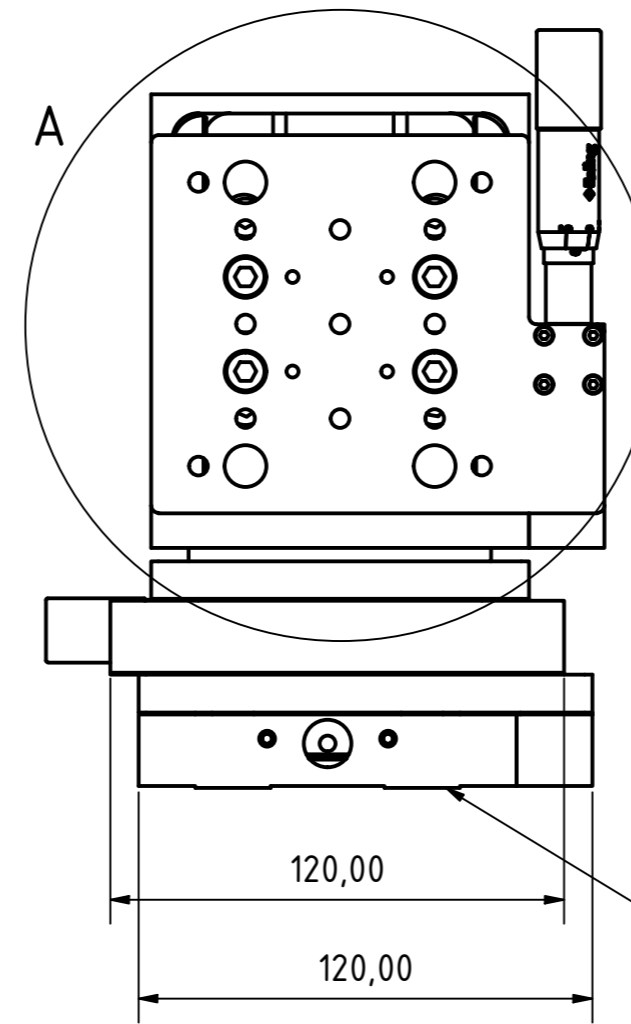
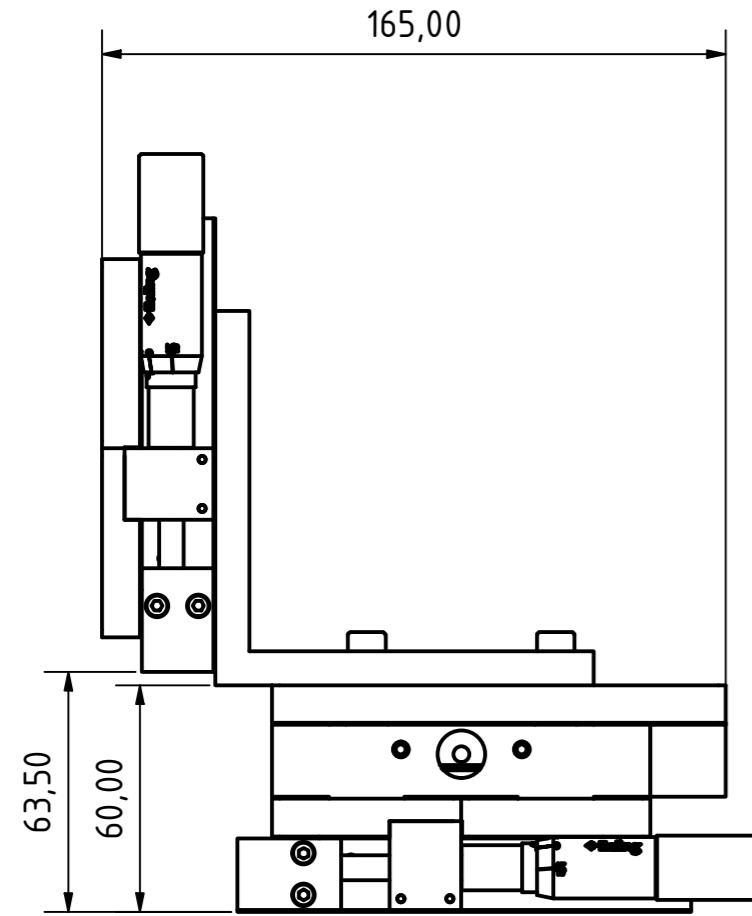
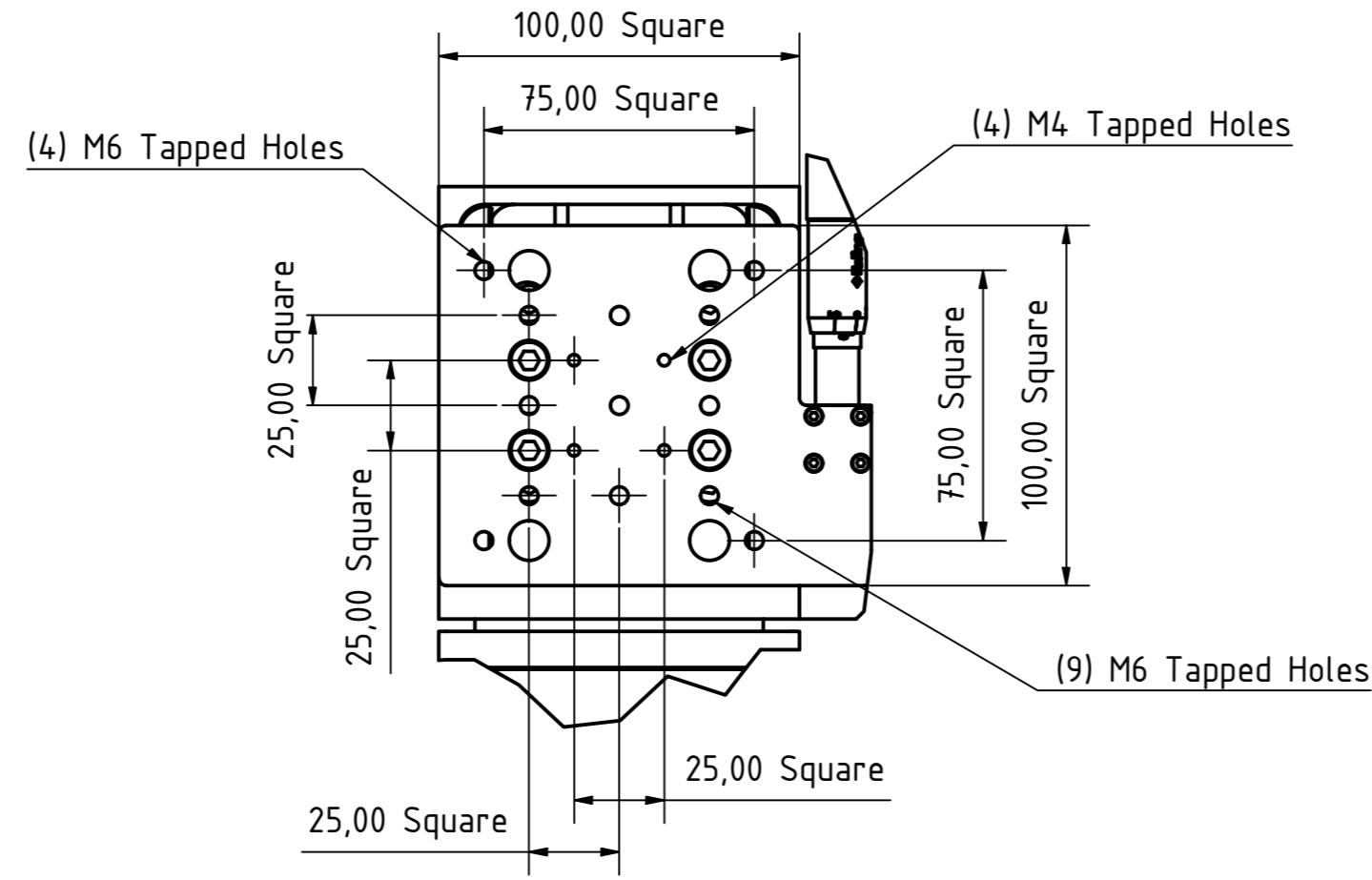


COPYRIGHT © 2019

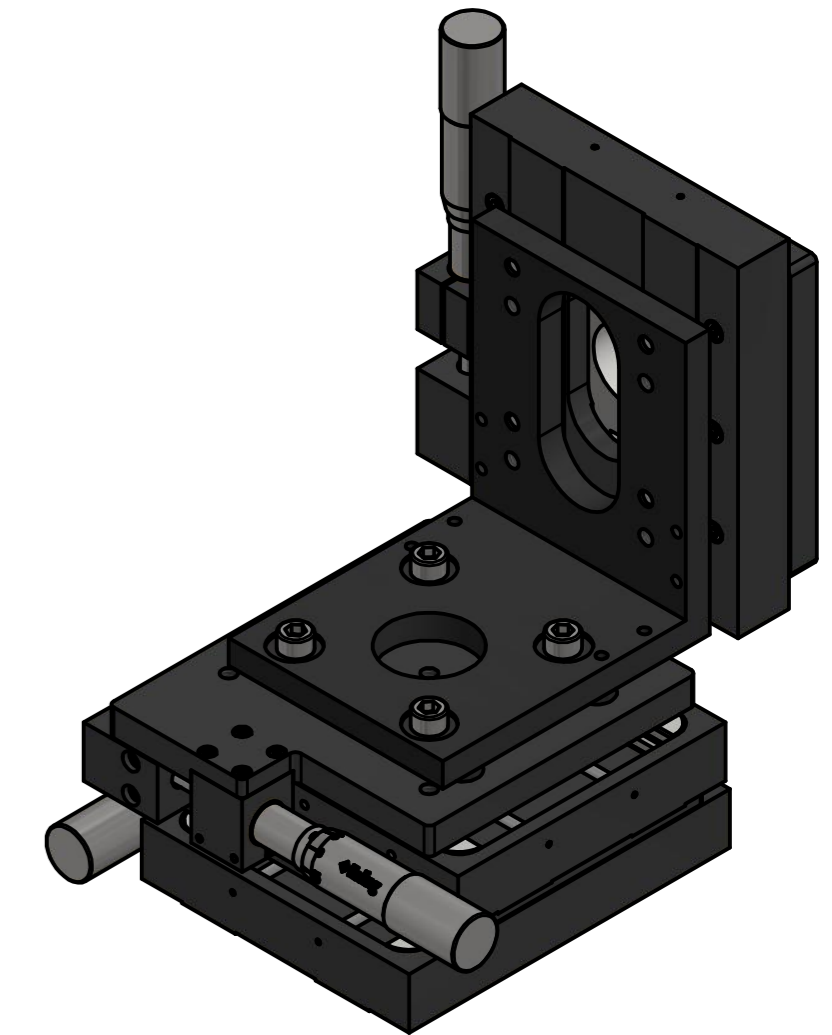
HYLAND OPTICAL TECHNOLOGIES, INC.
340 EL PUEBLO ROAD, SUITE E
SCOTTS VALLEY, CA 95066



A (1 : 2)



(4) M6 Slotted Clearance Holes
on 50 and 50,80 Square Pattern



FOR INFORMATION ONLY, NOT FOR MANUFACTURING

Property of Hyland Optical Technologies Corporation For this drawing the regulations of copyright apply	TITLE 3-Axis Stage, 25mm Travel, Micrometer, Side Driven, Metric
PART NO. 02-807-008	DATE 17.04.2019