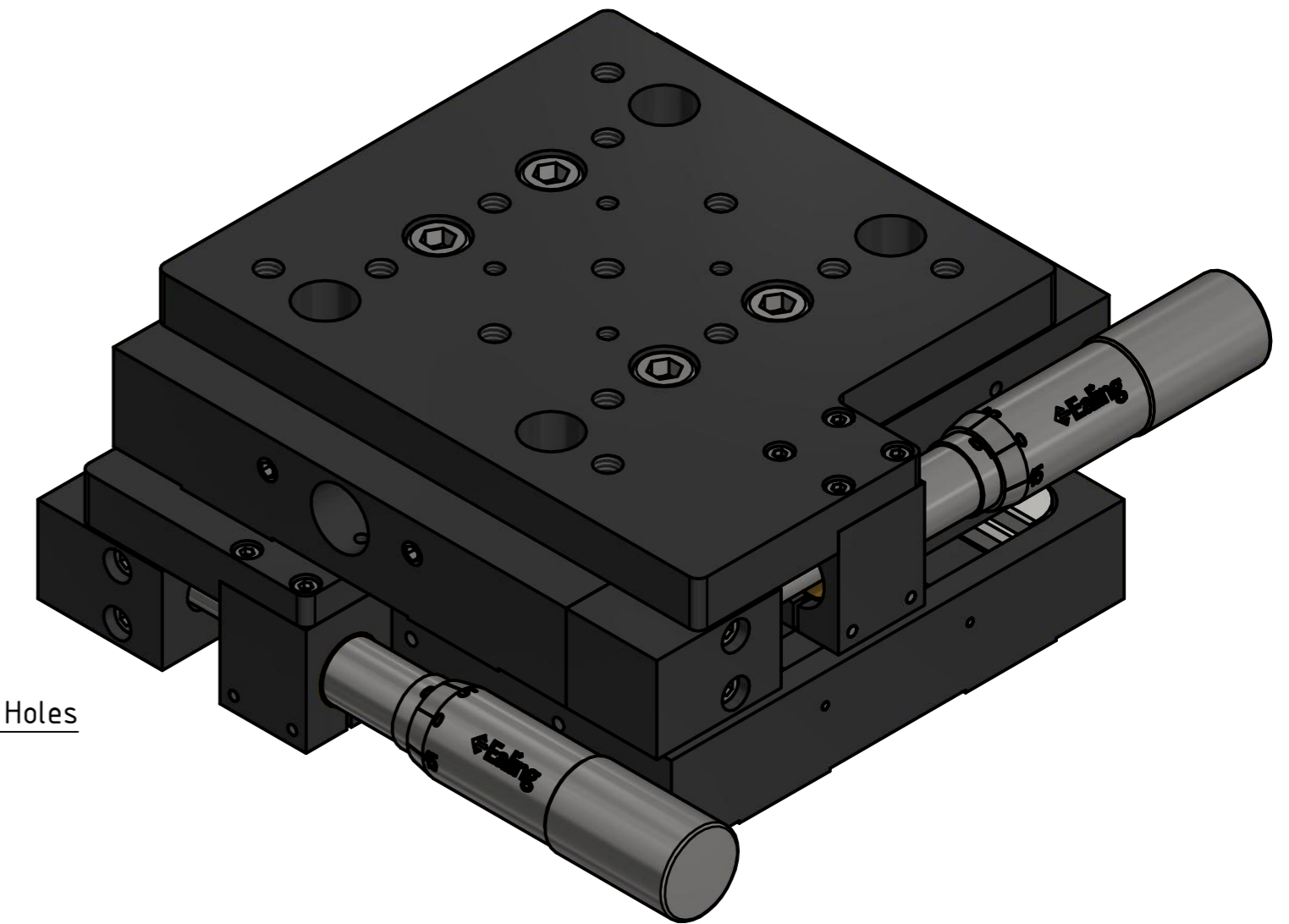
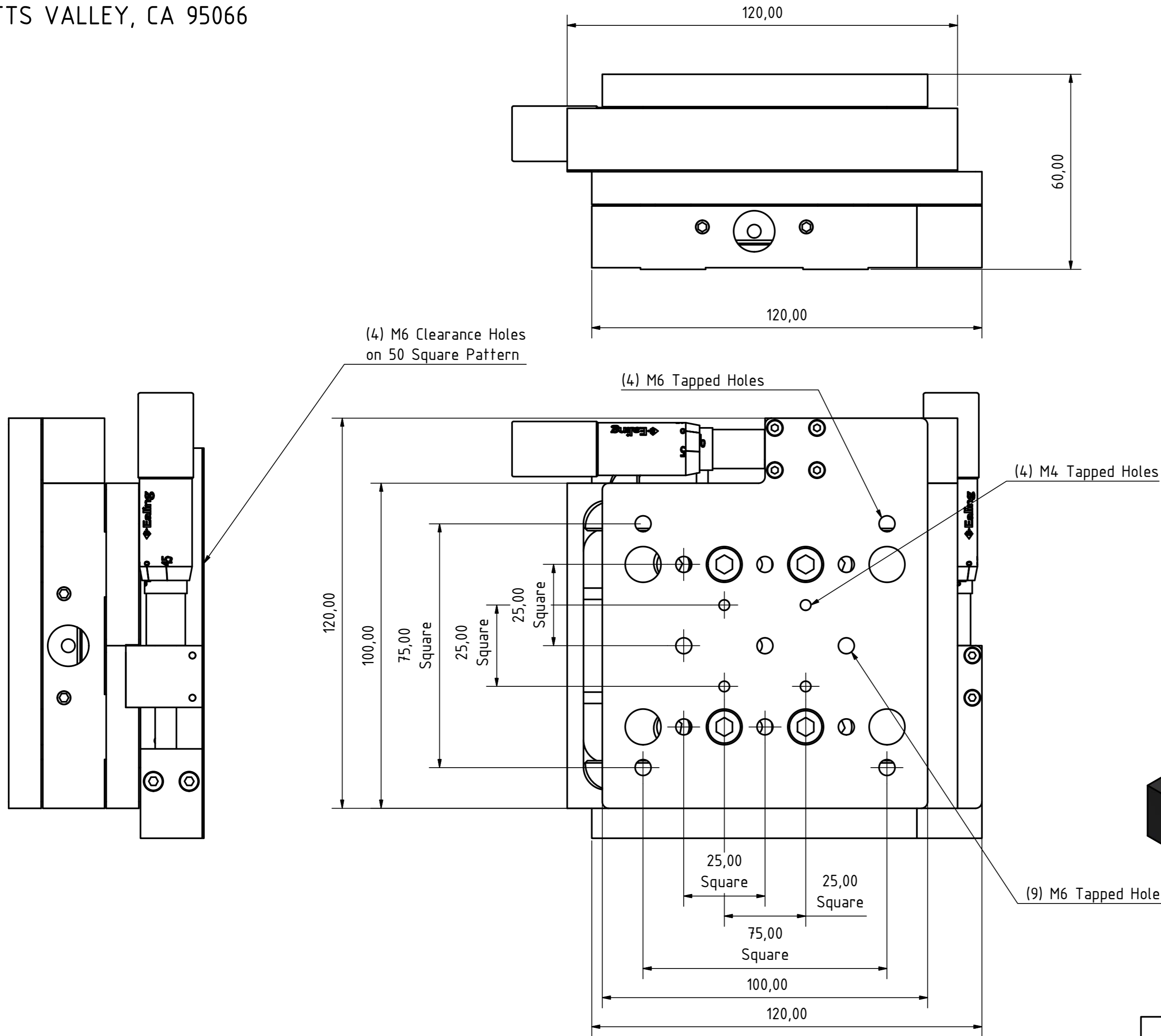


COPYRIGHT © 2017

HYLAND OPTICAL TECHNOLOGIES, INC.
340 EL PUEBLO ROAD, SUITE E
SCOTTS VALLEY, CA 95066



FOR INFORMATION ONLY, NOT FOR MANUFACTURING

Property of Hyland Optical Technologies Corporation For this drawing the regulations of copyright apply	TITLE 2-Axis Stage, 25mm Travel, Micrometer Actuators, Side Driven, Metric
PART NO. 02-805-008	DATE 07.09.2018