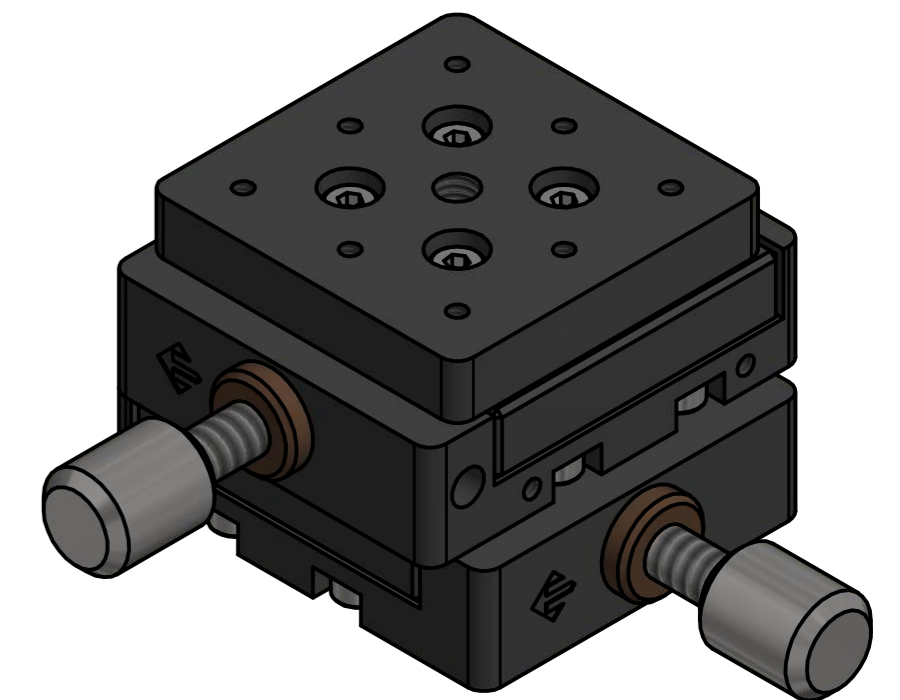
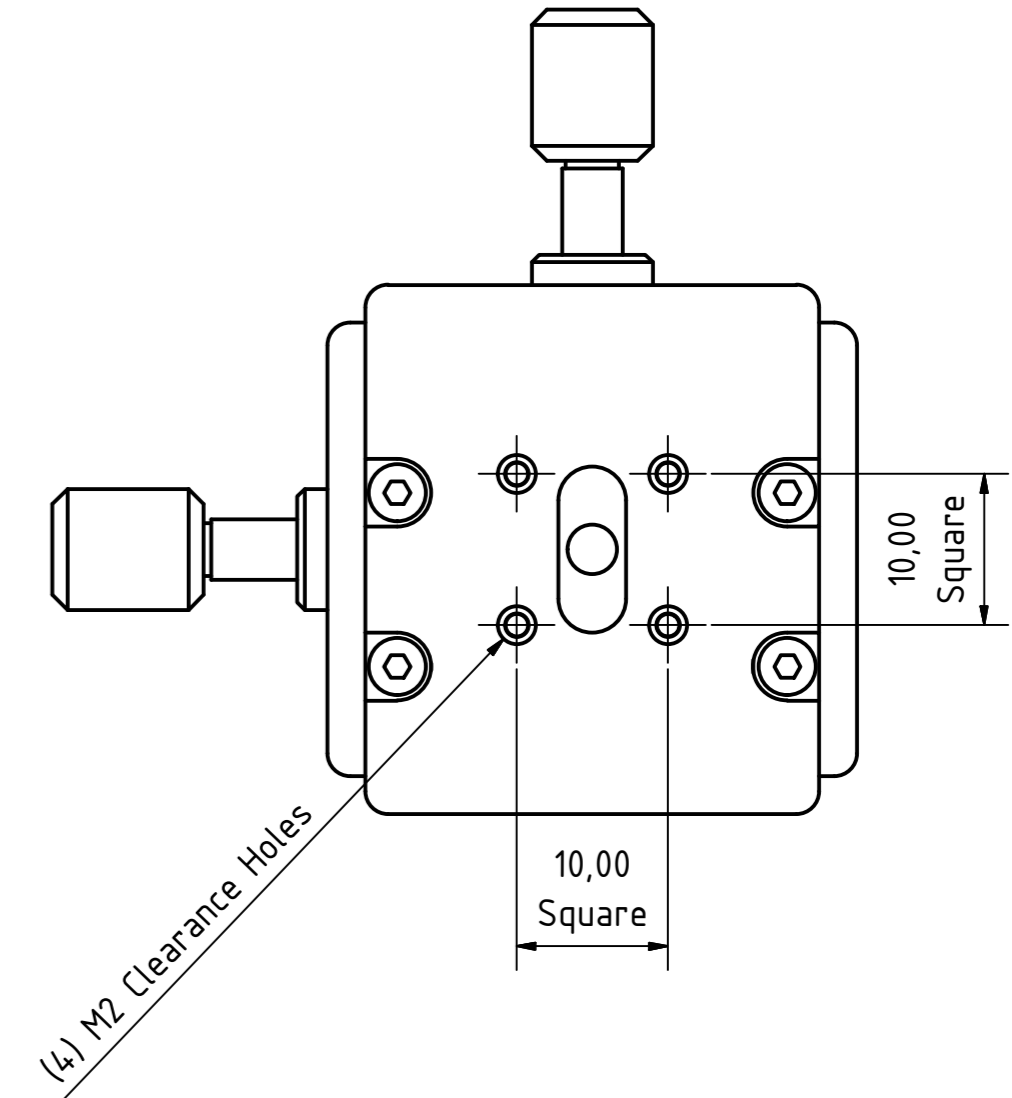
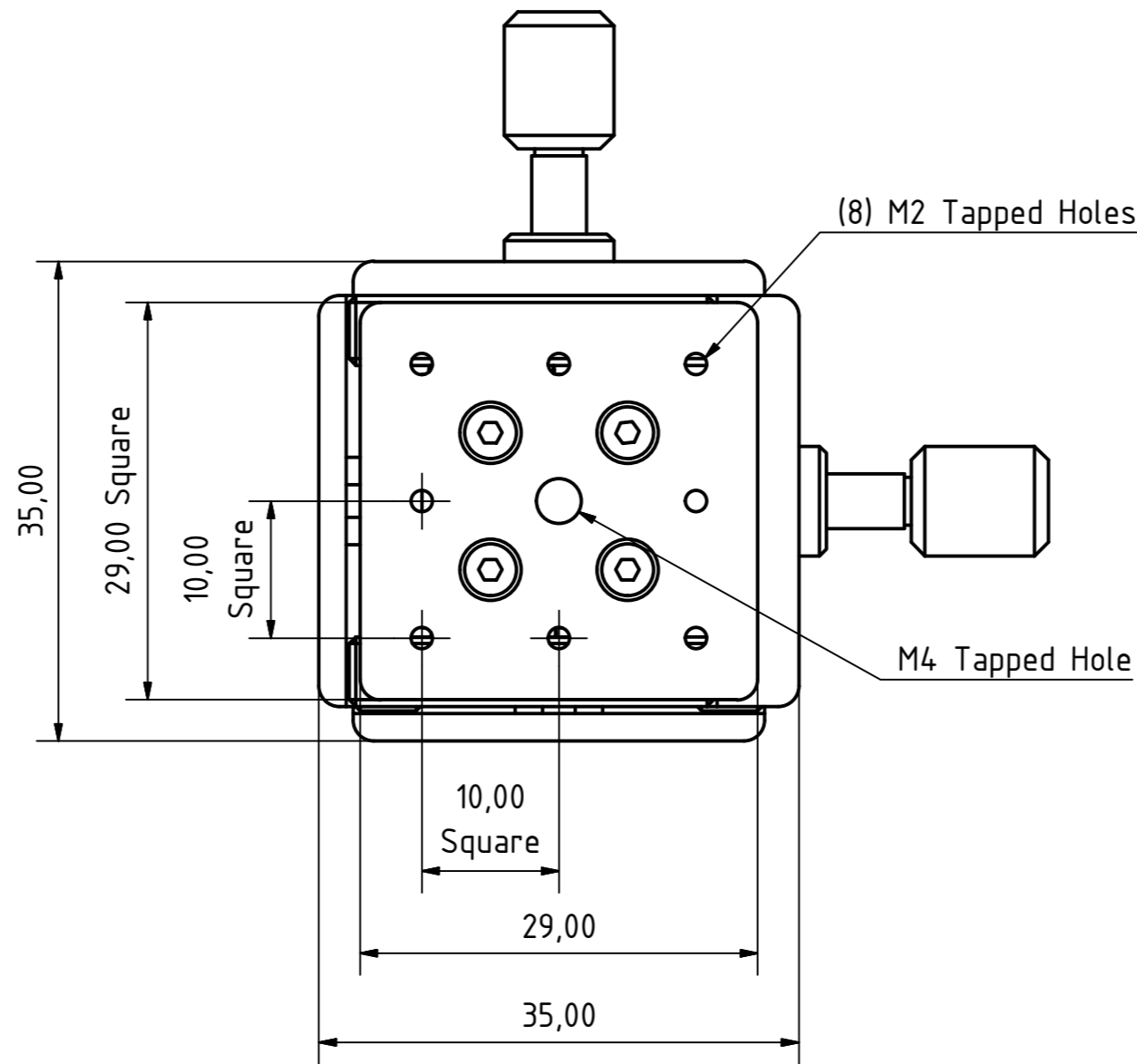
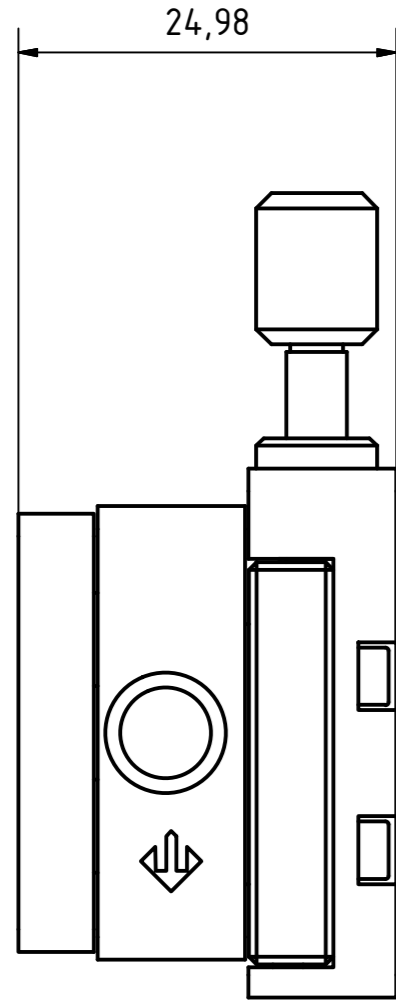


COPYRIGHT © 2017

HYLAND OPTICAL TECHNOLOGIES, INC.  
340 EL PUEBLO ROAD, SUITE E  
SCOTTS VALLEY, CA 95066



FOR INFORMATION ONLY, NOT FOR MANUFACTURING

Property of Hyland Optical Technologies Corporation For this drawing the regulations of copyright apply	TITLE 2-Axis Stage, 6,5mm Travel, Thumbscrew Actuators, Metric
PART NO. 02-805-002	DATE 11.09.2018