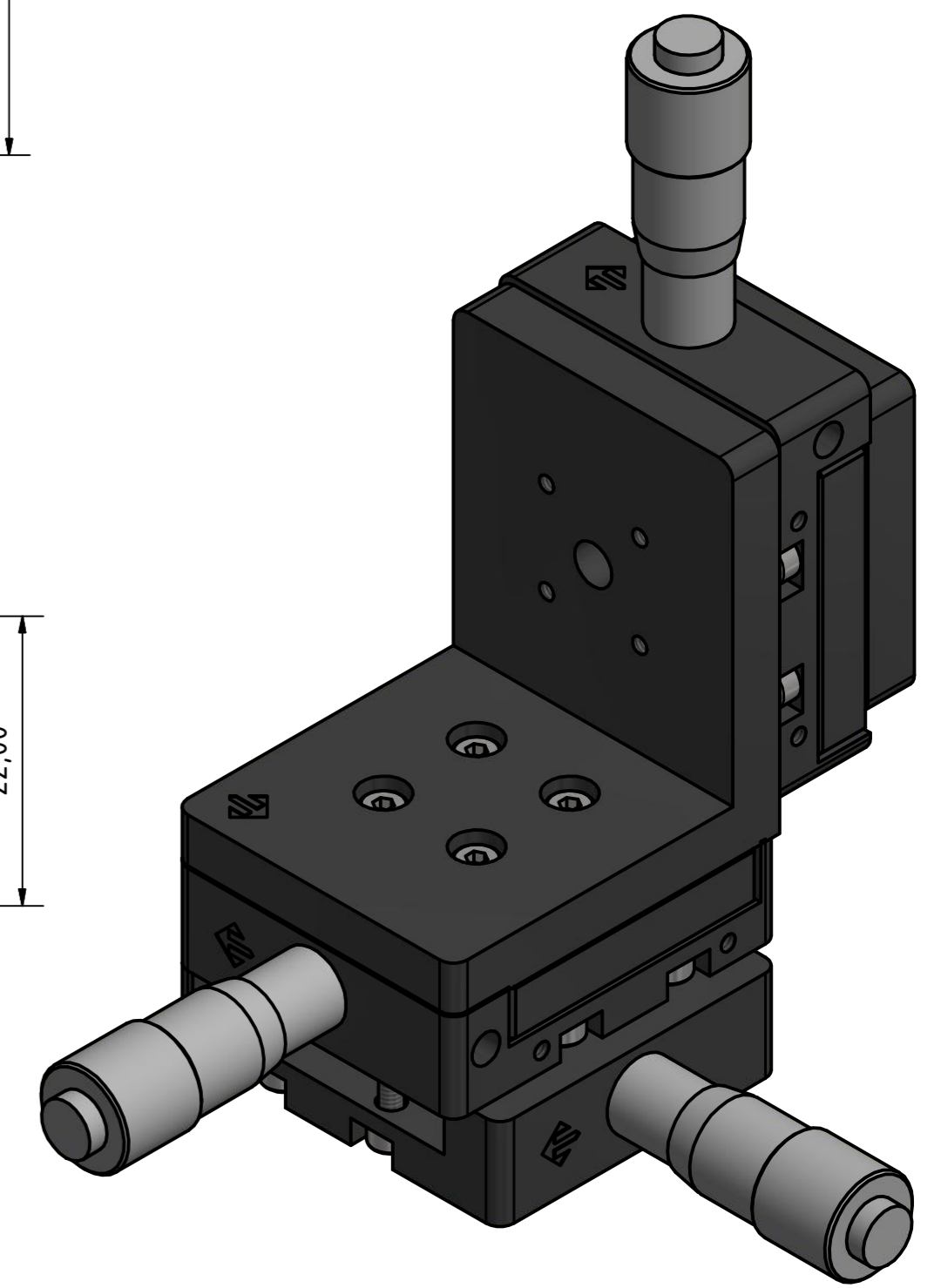
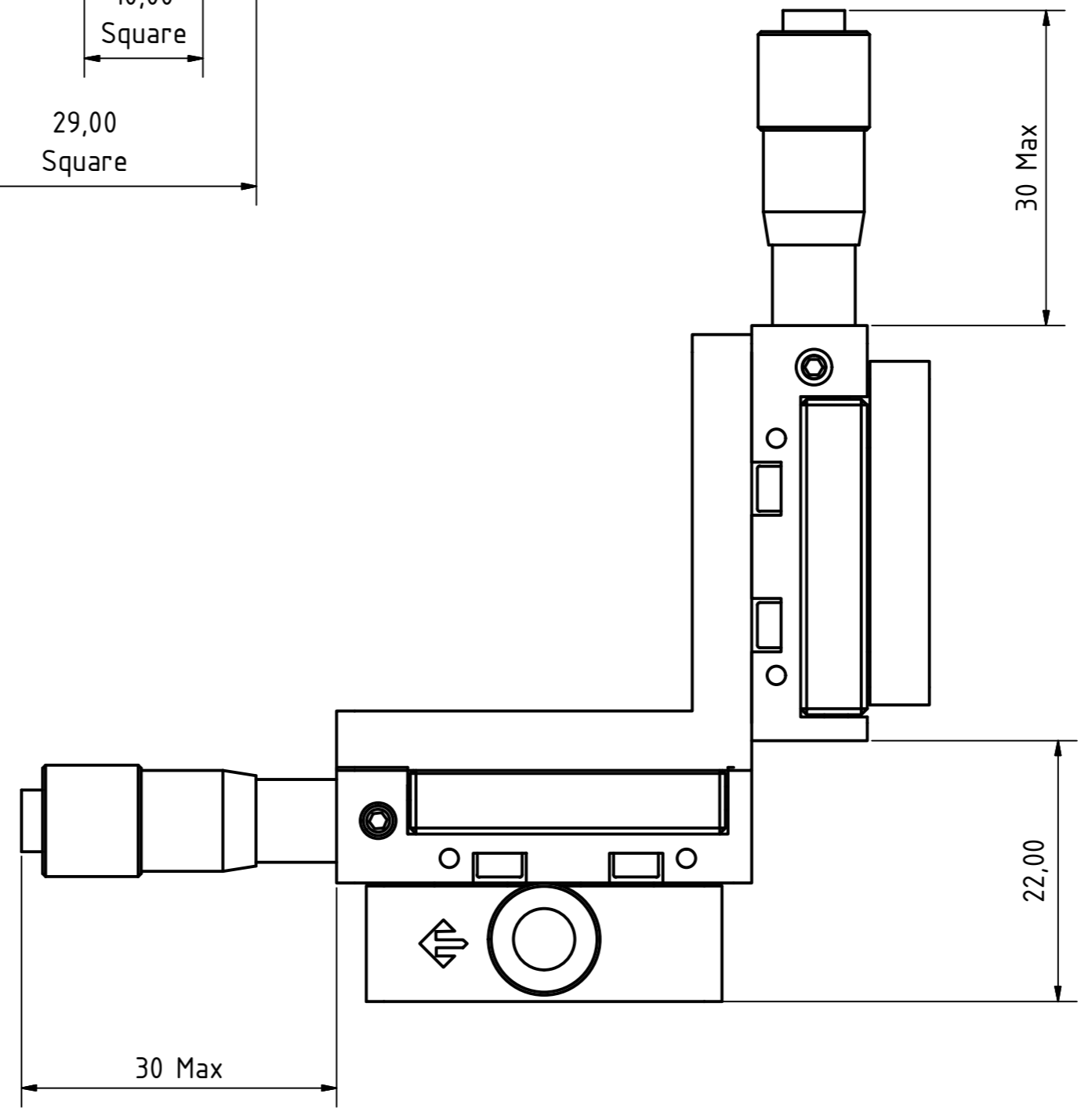
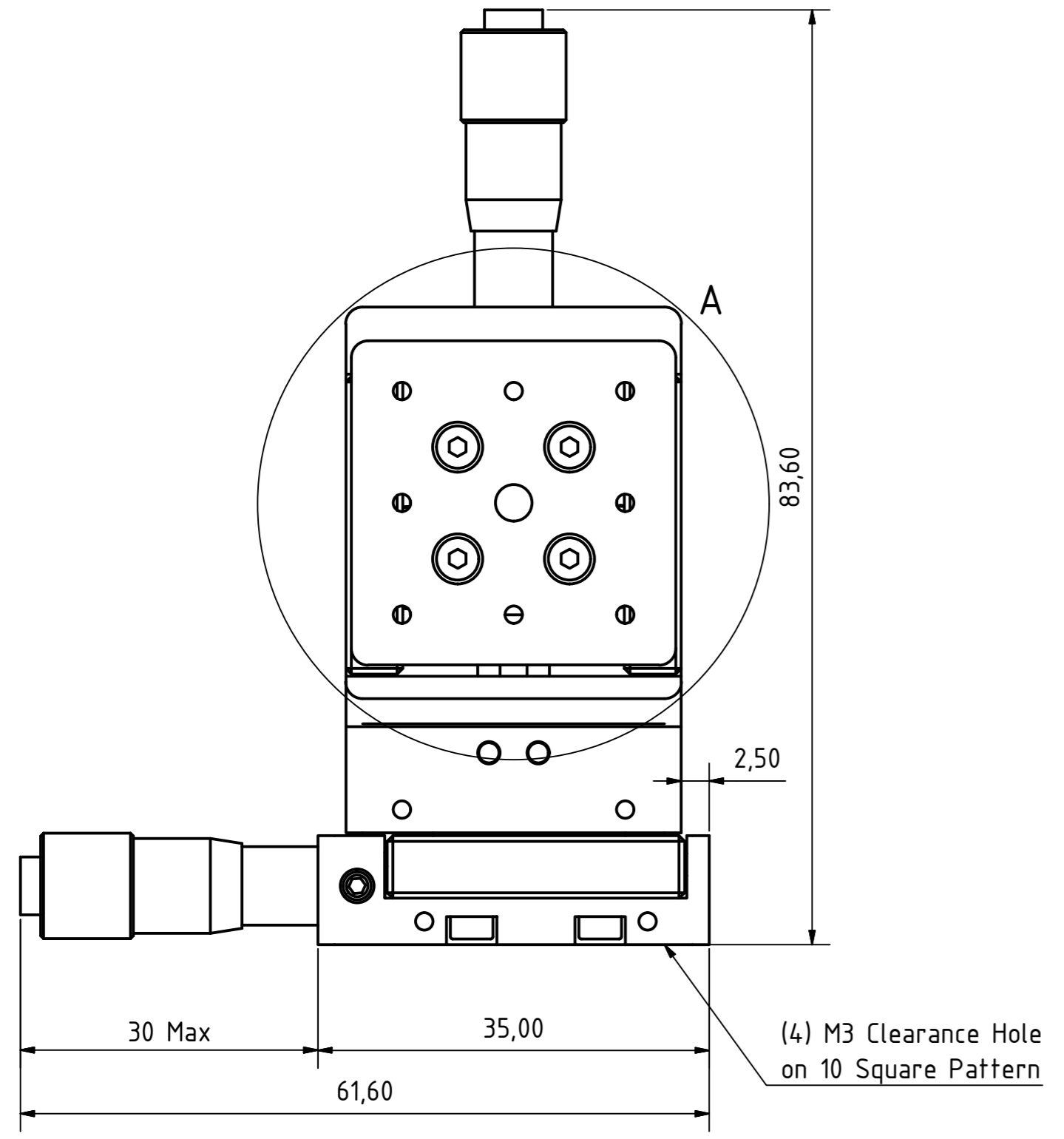
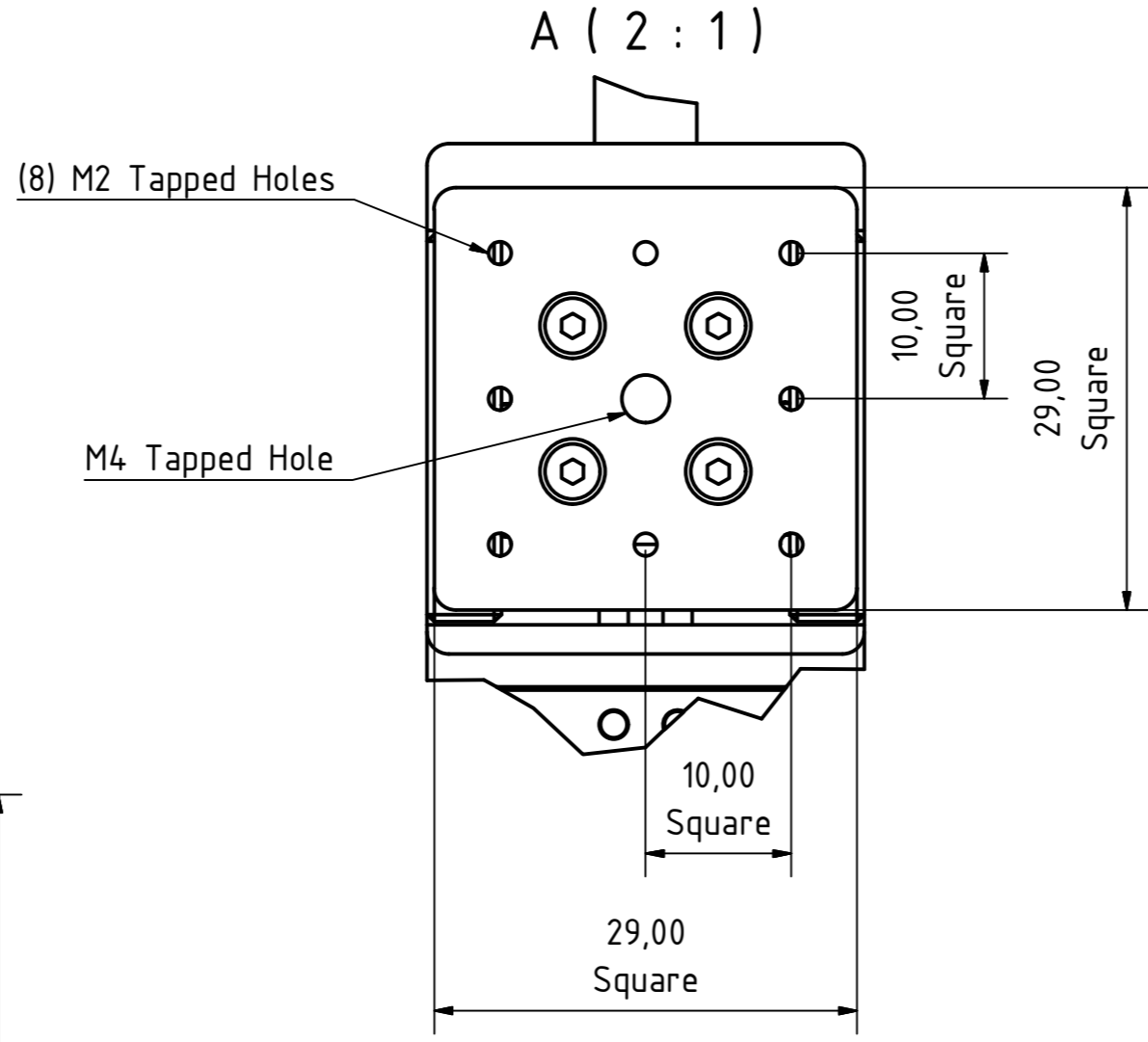


COPYRIGHT © 2017

HYLAND OPTICAL TECHNOLOGIES, INC.
340 EL PUEBLO ROAD, SUITE E
SCOTTS VALLEY, CA 95066



FOR INFORMATION ONLY, NOT FOR MANUFACTURING

Property of Hyland Optical Technologies Corporation For this drawing the regulations of copyright apply	TITLE Manual 3-Axis Stage, 6,5mm Travel, Micrometer Actuator, Metric
PART NO. 02-807-003	DATE 27.07.2018