

# V-Block Mounts

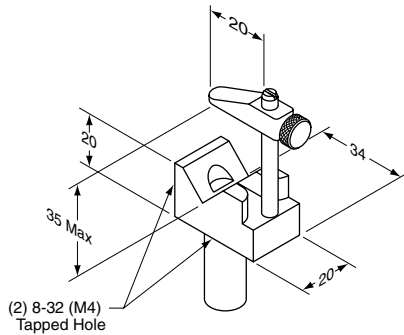
- Ideal for mounting cylindrical objects
- Threaded for post or StablePillar™ mounting
- Standard M4 (8-32) mounting holes
- Soft rubber-faced clamp arm
- Three sizes



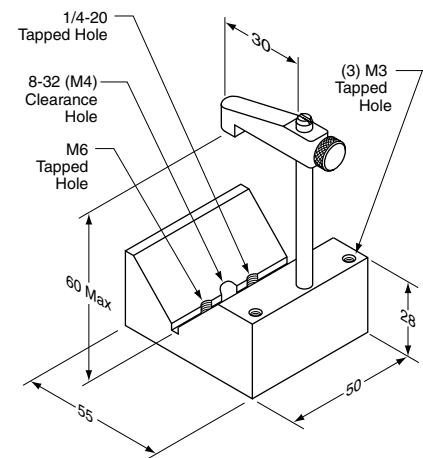
These simple mounting blocks are ideal for holding any cylindrical object and are especially well suited to holding prototype lens assemblies, laser diode modules, small CCD cameras and fiber

optic light guides. The new V-blocks drawn above are designed specifically for post or StablePillar™ mounting and are compatible with the industry standard 8-32 (M4) mounting hardware.

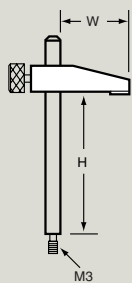
**53-2317/61-2317**  
V-Block, Small



**53-2325**  
V-Block, Large



Note: V-Blocks are supplied with clamp rod arms, the large V-Block can accommodate up to three clamp rod arms. Additional clamp rod arms can be purchased separately and are detailed opposite and listed below.



**Clamp Rod/Arm**

## V-Block Mounts

Catalog Number	Description	Max Cylinder Dia (mm)	H (mm)	W (mm)
53-2317	V-Block Small, Metric	25.0		
61-2317	V-Block Small, Inch	25.0		
53-2325	V-Block Large, Universal	50.0		
53-2333	Short Clamp Rod/Arm		35.0	20.0
53-2341	Tall Clamp Rod/Arm		50.0	30.0

### Optics

Lenses & Microscope Components

Coatings

Mirrors, Beamsplitters & Windows

Prisms & Polarizers

Filters

Pinholes

### Opto-mechanics

Tables, Breadboards & Rails

Mounting Hardware

Mirror & Component Mounts

Manual Micro-positioners

Motorized Positioners

### Lasers & Accessories

Beam Delivery

Laser Measurement

Diode Laser Modules