

Fixed Lens Mounts – Threaded

Optics

Lenses

Mirrors & Beamsplitters

Prisms & Polarizers

Filters

Pinholes

- **Fixed position threaded optic holders**
- **Compact design ideal for mounting thin lenses, windows, or beamsplitters**
- **Ideal for small lenses of 12.5 mm, 25 mm, and 50 mm diameter**
- **8-32 and M4 threaded versions**



Opto-mechanics

Breadboards & Rails

Mounting Hardware

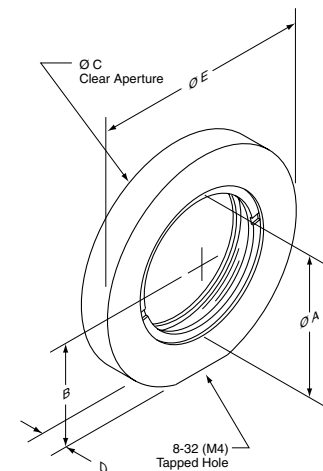
Mirror & Component Mounts

Manual Micro Positioners

Motorized Positioners

Thin lenses or beamsplitters of half-inch, one inch, and two inch diameter can be held in these versatile Component Mounts. The optical component is secured in place by a soft-faced threaded ring. This ring can be tightened using a spanner wrench tool. Thin Lens Mounts can be supported by a standard Half-inch Mounting Post (not supplied).

Fixed Lens Mount



Fixed Lens Mounts – Threaded

Catalog Number	Description	A (mm)	B (mm)	C (mm)	D (mm)	E (mm)	Max Component Thickness (mm)	Mounting Thread	Price US
53-2804	Fixed Threaded Optic Holder 12.5 mm/0.5 inch Dia., Metric	12.8	15.0	11.20	8.0	31.8	5.0	M4	\$39.00
61-2804	Fixed Threaded Optic Holder 12.5 mm/0.5 inch Dia., Inch	12.8	15.0	11.20	8.0	31.8	5.0	8-32	\$39.00
53-2812	Fixed Threaded Optic Holder 25 mm/1 inch Dia., Metric	25.5	21.8	23.70	9.5	44.5	6.5	M4	\$39.00
61-2812	Fixed Threaded Optic Holder 25 mm/1 inch Dia., Inch	25.5	21.8	23.70	9.5	44.5	6.5	8-32	\$39.00
53-2820	Fixed Threaded Optic Holder 50 mm/2 inch Dia., Metric	50.8	34.5	49.80	9.5	69.8	6.5	M4	\$39.00
61-2820	Fixed Threaded Optic Holder 50 mm/2 inch Dia., Inch	50.8	34.5	49.80	9.5	69.8	6.5	8-32	\$39.00