

# Kinematic Mirror Mounts

## Optics

Lenses

Mirrors & Beamsplitters

Prisms & Polarizers

Filters

Pinholes

- **Kinematic one-piece design specifically for round mirrors or beamsplitters**
- **Finger cut-outs designed for easy removal of mirrors**
- **80 threads per inch adjusters**
- **Nylon tipped mirror locking screw**
- **Hex key adjusters**



## Opto-mechanics

Breadboards & Rails

Mounting Hardware

Mirror & Component Mounts

Manual Micro Positioners

Motorized Positioners

These Ealing Kinematic Mirror Mounts are designed to accept round, front surface mirrors or beamsplitters of either 3 inch or 4 inch diameter. These simple mirror mounts provide an excellent, stable and accurate method of mounting large round optics. Mirrors are retained in the mount by two delrin inserts and a nylon tipped set screw. The holes provided are designed for universal mounting on almost all hardware.

The M4 (8-32) clearance mounting holes are positioned directly below the center of the mounted mirror.

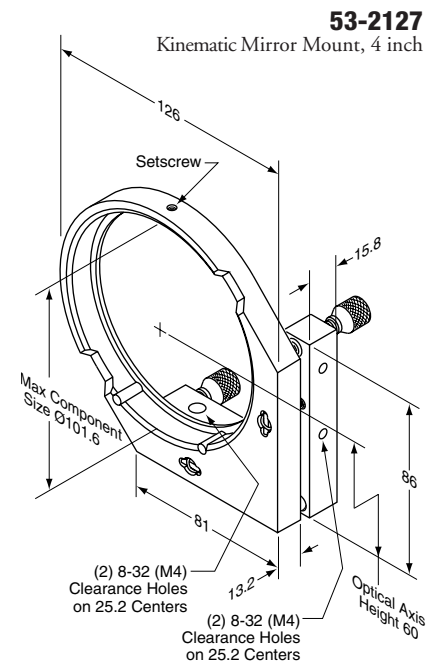
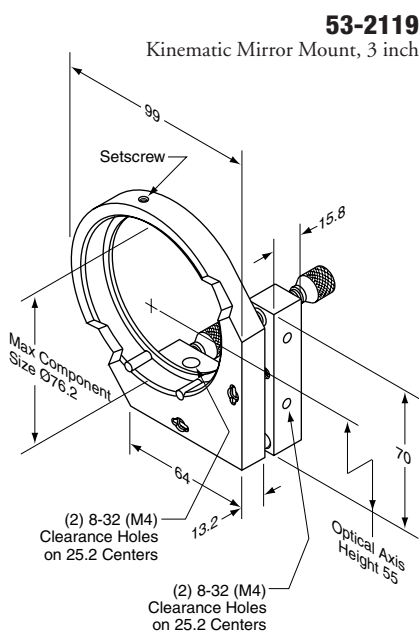
These mounts can be bottom mounted on a post or alternatively they can be side mounted on a rod system.

### Specifications (3 inch mount)

**Angular Adjustment Range:**  $\pm 3^\circ$   
**Pivot Arm Length:** 56 mm  
**Actuator Thread Pitch:** 80 TPI  
**Angular Resolution or Sensitivity:** 3.2 arcsec (0.0009°)  
**Clear Aperture:** 73.0 mm  
**Max Component Dia:** 76.2 mm  
**Optical Center Height:** 55.0 mm

### Specifications (4 inch mount)

**Angular Adjustment Range:**  $\pm 2.5^\circ$   
**Pivot Arm Length:** 70 mm  
**Actuator Thread Pitch:** 80 TPI  
**Angular Resolution or Sensitivity:** 2.6 arcsec (0.0007°)  
**Clear Aperture:** 97.5 mm  
**Max Component Dia:** 101.6 mm  
**Optical Center Height:** 70.0 mm



### Kinematic Mirror Mounts

Catalog Number	Description	Clear Aperture (mm)	Max Component Dia D (mm)	Price US
53-2119	Kinematic Mirror Mount, 3 inch	73.0	76.2	\$169.00
53-2127	Kinematic Mirror Mount, 4 inch	97.5	101.6	\$229.00