

Precise™ Mirror Mounts

- **L-shaped back plate maximizes clear aperture at 45 degrees**
- **Kinematic design for 25.4 mm round mirrors**
- **Cutaway design**
- **100 threads per Inch adjusters with hex key option**
- **Allen key adjusters**
- **Nylon tipped mirror locking screw**



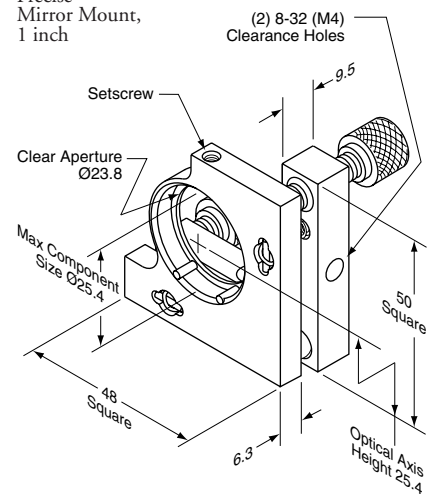
These popular 1 inch Mirror Mounts are designed to accept round, front surface mirrors or beamsplitters up to 25.4 mm diameter. Holes provided in the back plate are designed for universal mounting on almost all hardware. The M4 (8-32) clearance mounting holes are positioned directly below the center of the Mounted Mirror.

These mounts can be bottom mounted on a Half-inch Post, StablePillar™ or one of two riser blocks. Alternatively, they can be side mounted on a rod system carrier. Mirrors are retained in the mount by two delrin inserts and a nylon tipped set screw.

An OEM version of the Precise 1 inch Mirror Mount is also available. This is exactly the same as the standard mount except the knurled stainless adjusters are replaced with more compact hex adjusters.

53-2218

Precise™ Mirror Mount, 1 inch



Specifications

Angular Adjustment Range: $\pm 10^\circ$
Pivot Arm Length: 38 mm
Actuator Thread Pitch: 100 TPI
Angular Resolution or Sensitivity: 3.8 arcsec (0.001°)
Clear Aperture: 23.8 mm
Max Component Dia: 25.4 mm
Optical Center Height: 25.4 mm

Precise™ Mirror Mounts

| Catalog Number | Description | Max Optic Dia. (mm) | Optical Axis Height (mm) | Price US |
|----------------|-----------------------------------|---------------------|--------------------------|----------|
| 53-2218 | Precise™ Mirror Mount, 1 inch | 25.4 | 25.4 | \$79.00 |
| 53-2630 | Precise™ Mirror Mount, 1 inch OEM | 25.4 | 25.4 | \$79.00 |

Optics

Lenses

Mirrors & Beamsplitters

Prisms & Polarizers

Filters

Pinholes

Opto-mechanics

Breadboards & Rails

Mounting Hardware

Mirror & Component Mounts

Manual Micro Positioners

Motorized Positioners