

# TriRail™ Dovetail Stages

- Ideal for use with TriRail™
- 1-3 axis assemblies
- Compact dovetail slide/leadscrew design
- 25 mm travel with graduated scale
- Side locking screw
- Optical Table or Rail Mounting



## TriRail™ Dovetail Stages

These stages are constructed from machined aluminum and incorporate a dovetail slide/leadscrew design. TriRail Dovetail Stages provide a low cost alternative to the more accurate MiniMech™ and MacroMech™ stages described in the Manual Micropositioners section of this catalog. They are very versatile, and allow multiple axis assemblies to be built using the hardware described below (see diagrams on p 66). These multi-axis assemblies can be attached directly to an optical table via clearance

holes in the stage base, or they can be attached to a TriRail™ carrier. They can also be stacked on top of MiniMech™ or MacroMech™ positioners.

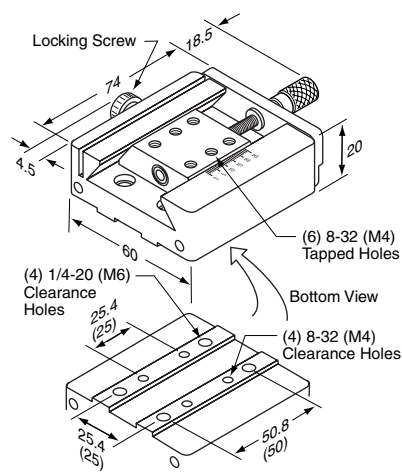
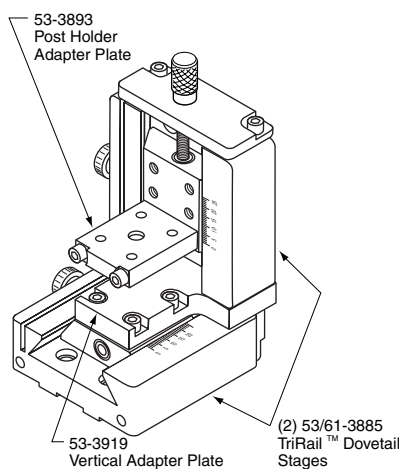
### Dovetail Stage Post Holder Plate

The post holder plate allows Half-inch post holders to be attached to the Dovetail Stage. The plate can be attached to a horizontally or vertically

oriented stage as shown in the diagrams opposite giving fine positional adjustment of the post holder in either the horizontal or vertical direction.

### Dovetail Stage Vertical Adapter Plate

This adapter plate allows a Dovetail stage to be mounted vertically on top of another Dovetail Stage.



## TriRail™ Dovetail Stages

| Catalog Number | Description   | Price US |
|----------------|---|----------|
| 53-3885        | TriRail Dovetail Stage 25 mm travel, metric         | \$149.00 |
| 61-3885        | TriRail Dovetail Stage 25 mm travel, inch           | \$149.00 |
| 53-3893        | Dovetail Stage Post Holder Adapter Plate, Universal | \$34.50  |
| 53-3919        | Dovetail Stage Vertical Adapter Plate, Universal    | \$34.50  |



Multi-axis assemblies can be built from these modular stages, as shown in the photograph above and the diagrams on the next page.

Optics

Lenses

Mirrors & Beamsplitters

Prisms & Polarizers

Filters

Pinholes

Opto-mechanics

Breadboards & Rails

Mounting Hardware

Mirror & Component Mounts

Manual Micro Positioners

Motorized Positioners