

# TopAdjust™ Mirror Mounts

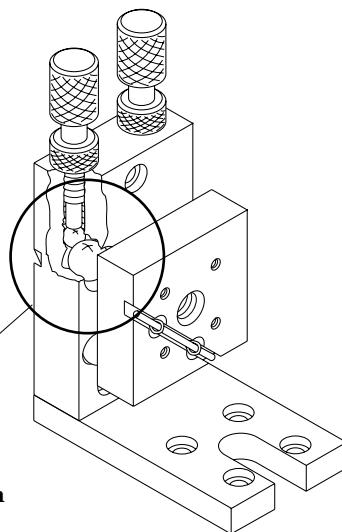
- 1 Inch Square
- Patented low backlash double ball bearing design
- Both tip and tilt controls are top mounted to avoid beam contact
- Base or post mountable
- High sensitivity
- Lockable adjusters - ideal for OEM applications



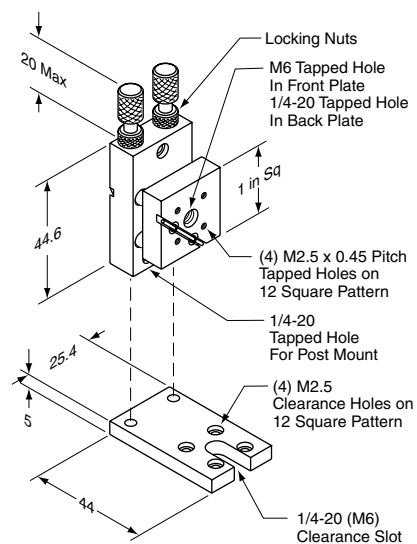
A unique high resolution adjustment system with vertically-mounted controls makes these kinematic mirror mounts particularly valuable for use where access is restricted or where it is necessary to keep the operator's hands away from the optical path, as with high power laser systems. The fine pitch adjusting screws are fitted with knurled locking rings to prevent accidental movement once set in place.

TopAdjust™ Mirror Mounts are available with bases for metric or inch table mounting, or without bases for post-mounted applications. Where bases are fitted, these may be reversed allowing the mirror to face the inside or outside of their brackets. Mirrors may easily be bonded to the face plates of the mirror mounts using the self-adhesive pads which are supplied.

Patented low backlash double ball bearing design



**37-4777/22-8643**  
TopAdjust™ Mirror Mount



## TopAdjust™ Mirror Mounts

Catalog Number	Description	Price US
37-4777	TopAdjust™ Mirror Mount, 1 Inch Square Post Mountable	\$119.00
22-8643	TopAdjust™ Mirror Mount, 1 Inch Square Base Mounted	\$129.00

### Optics

Lenses & Microscope Components

Coatings

Mirrors & Beamsplitters

Prisms & Polarizers

Filters

Pinholes

### Opto-mechanics

Rails

Mounting Hardware

Mirror & Component Mounts

Manual Micro Positioners

Motorized Positioners

### Optical Instruments

Microscopes

Light Sources