

# Precise™ Thin Optic Mounts

- Threaded to allow mounting of thin optics
- L-shaped back plate maximizes clear aperture at 45 degrees
- 100 threads per inch adjusters
- Hex key adjusters
- Hard inserts for long life
- Affordably priced

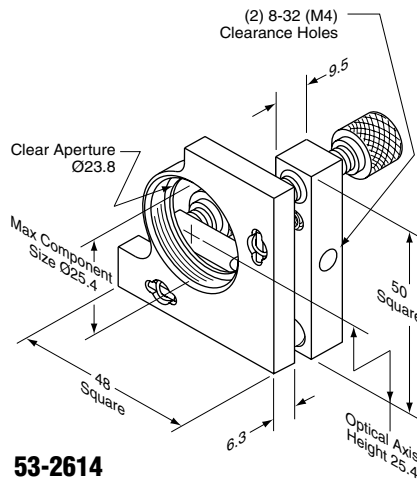


The Ealing Precise™ Thin Optic Mounts are very similar to the standard Precise™ mirror mounts except these are designed specifically to accept thin, round, front surface mirrors or beamsplitters. Two sizes are available to accept either 1 inch or 2 inch diameter optics.

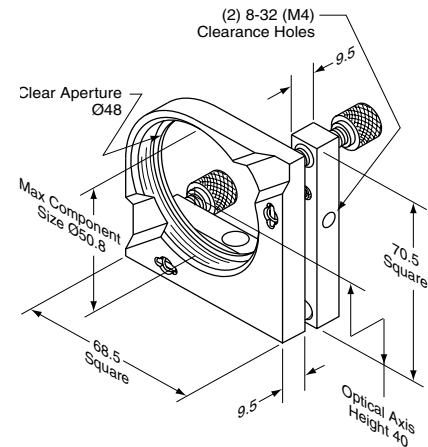
These new mounts provide an excellent, stable and accurate method of mounting thin, round optics. Both mounts incorporate an L-shaped backplate, this is designed to provide the maximum clear aperture at 45 degrees for 1 inch or 2 inch diameter beamsplitters or thin mirrors. Optics are retained in the mount by means of a threaded retaining ring that can be tightened using a spanner wrench.

The clearance mounting holes provided in the L-shaped back plate are designed for universal mounting on almost all manufacturer's hardware – these M4 (8-32) clearance mounting holes are positioned directly below the center of the optic mounted.

Precise Thin Optic Mounts can be mounted on Half-inch posts.



**53-2614**  
Precise™ Thin Optic Mount, 1 inch



**53-2622**  
Precise™ Thin Optic Mount, 2 inch

## Precise™ Thin Optic Mounts

Catalog Number	Description	Max Optic Dia. (mm)	Optical Axis Height (mm)	Price US
53-2614	Precise Thin Optic Mount, 1 inch	25.4	25.0	\$129.00
53-2622	Precise Thin Optic Mount, 2 inch	50.8	40.0	\$149.00

### Optics

Lenses & Microscope Components

Coatings

Mirrors & Beamsplitters

Prisms & Polarizers

Filters

Pinholes

### Opto-mechanics

Rails

Mounting Hardware

Mirror & Component Mounts

Manual Micro Positioners

Motorized Positioners

### Optical Instruments

Microscopes

Light Sources