

Mounting Posts – Half-inch

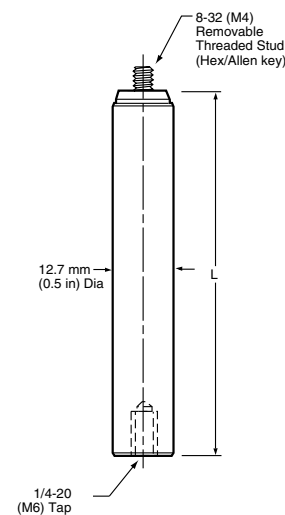
- Removable M4 or 8-32 threaded stud in top
- M6 or 1/4-20 thread in base
- Half-inch (12.7 mm) diameter
- Durable stainless steel
- Exceptional value
- Compatible with Precise™ Mirror Mounts



Ealing's new range of stainless steel Half-inch Mounting Posts offer excellent compatibility with all industry standard component mounts with M4 (8-32) threads or clearance holes. These new Mounting Posts fit into a wide range of holders for table and rail mounting. Their stainless steel construction makes them extremely durable and corrosion resistant. The

M4 (8-32) removable stud provides for attachment to most industry standard component mounts including Ealing's Precise™ Mirror Mounts. The M6 (1/4-20) thread in the bottom of the post can be used for direct mounting to bases or positioners as required.

Half-inch Mounting Post



Specifications

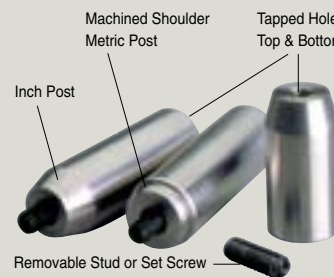
Diameter: 12.7 +0/-0.02mm
Material: Stainless steel

Half-inch Mounting Posts (Metric)

Catalog Number Metric	Length (mm)	Price US
53-1723	30	\$5.60
53-1731	40	\$5.60
53-1749	50	\$5.60
53-1756	75	\$5.60
53-1764	100	\$7.25
53-1772	150	\$8.00
53-1780	200	\$8.80
53-1806	300	\$12.65

Half-inch Mounting Posts (Inch)

Catalog Number Inch	Length (inch)	Price US
61-1723	1	\$5.60
61-1731	1.5	\$5.60
61-1749	2	\$5.60
61-1756	3	\$5.60
61-1764	4	\$7.25
61-1772	6	\$8.00
61-1780	8	\$8.80
61-1806	12	\$12.65



Post Holders – Half-inch

- Smooth height adjustment using spring thumbscrew
- Ideal for use with Half-inch Posts
- Double bored for precise fit
- Available in Inch or Metric versions

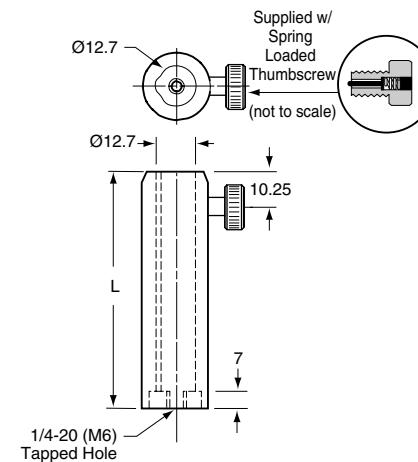


Ealing's range of Half-inch Posts can be supported in a variety of fixed and adjustable mounts. These include our range of fixed length post holders and breadboards and onto metric and, inch positioners directly or through one of our mounting bases. The posts then provide fixed or adjustable locations for Ealing's wide range of component mounts including lens holders, Precise™ Mirror Mounts, Prism/Beam-splitter Mounts and Filter Holders.

Ealing Half-inch Post Holders are double-bored to provide a groove opposite the knurled locking screw. This gives two-lines of contact for a precision, centered fit on any Half-inch Post. Posts are locked in place by a knurled, spring loaded brass thumb screw located at the top of the Post Holder and drawn in cross section below.

The Post Holders are available in inch or metric versions and in a range of lengths from 25 mm (1 inch) up to 150 mm (6 inches). They attach to the mounting surface by means of a single M6 or 1/4-20 screw (supplied).

Half-inch Post Holder



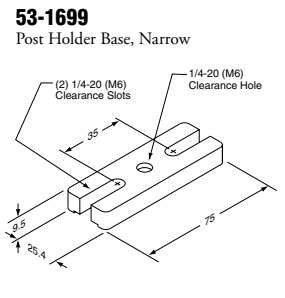
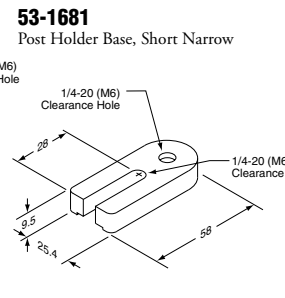
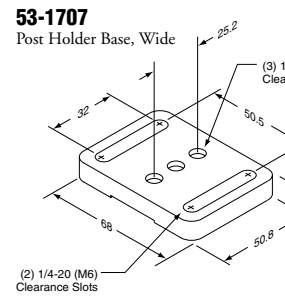
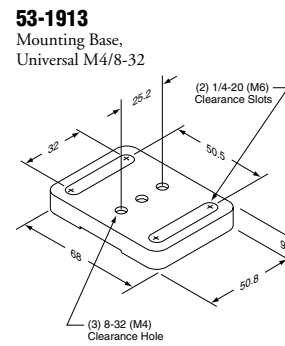
Post Holders – Half-inch (12.7 mm)

Catalog Number	Description	Max Post Dia (mm)	Length L	Thread in Base	Price US
61-2036	Post Holder 1 inch Long 1/4-20 Thread	12.7	1 inch	1/4-20	\$9.00
61-2044	Post Holder 1.5 inch Long 1/4-20 Thread	12.7	1.5 inch	1/4-20	\$9.00
61-2057	Post Holder 2 inch Long 1/4-20 Thread	12.7	2 inch	1/4-20	\$9.00
61-2069	Post Holder 3 inch Long 1/4-20 Thread	12.7	3 inch	1/4-20	\$10.00
61-2077	Post Holder 4 inch Long 1/4-20 Thread	12.7	4 inch	1/4-20	\$14.00
61-2085	Post Holder 6 inch Long 1/4-20 Thread	12.7	6 inch	1/4-20	\$18.00
53-2036	Post Holder 25 mm Long M6 Thread	12.7	25 mm	M6	\$9.00
53-2044	Post Holder 40 mm Long M6 Thread	12.7	40 mm	M6	\$9.00
53-2057	Post Holder 50 mm Long M6 Thread	12.7	50 mm	M6	\$9.00
53-2069	Post Holder 75 mm Long M6 Thread	12.7	75 mm	M6	\$10.00
53-2077	Post Holder 100 mm Long M6 Thread	12.7	100 mm	M6	\$14.00
53-2085	Post Holder 150 mm Long M6 Thread	12.7	150 mm	M6	\$18.00

Mounting Bases

- **Designed for use with Post Holders**
- **Table or rail mounting**
- **Three different styles available**
- **M6 / 1/4"-20 clearance holes and M4 / 8-32 version**

Ealing's range of Post Holder Mounting Bases is designed to be used with any of our Post Holders. These bases provide stable platforms for table or rail mounting, and are compatible with both Inch and Metric Tables. There are three styles to choose from depending on the space available and load to be mounted. The wide mounting base is also offered in a version designed for component mounts with threaded 8-32 (M4) mounting holes.



Mounting Bases

Catalog Number	Description	Price US
53-1681	Post Holder Base, Short Narrow	\$9.00
53-1699	Post Holder Base, Narrow	\$9.00
53-1707	Post Holder Base, Wide	\$12.00
53-1913	Mounting Base, Universal M4/8-32	\$14.00



Half-Inch Post Clamps

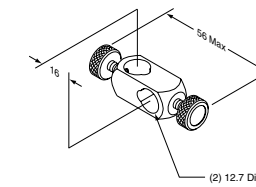
- **Rigid right angle or swivel clamp designs**
- **Swivel clamps allow 360 degree rotation of a mounting post**

Ealing's dual half-inch clamp allows two posts to be firmly mounted at right angles to each other, it has hole centers 16mm apart and is double bored to give a very positive hold on half inch posts.

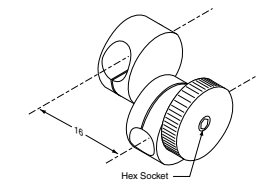
The low cost half-inch swivel clamp is based on a more common split body design. This design allows two half-inch posts to be clamped at any angle using the single tightening knob on the side. The posts can be more rigidly clamped by further tightening using the hex socket incorporated into the knurled knob.



53-2101
Right Angle Clamp, Half-inch posts



53-3869
Low cost swivel clamp, dual 1/2 inch posts



Half-Inch Post Clamps

Catalog Number	Description	Price US
53-2101	Right Angle Clamp, Half-inch posts	\$28.00
53-3869	Low Cost Swivel clamp, dual 1/2 inch posts	\$40.50

Adjustable Pinhole Mount

- **Compatible with 16 mm or 25 mm pinholes**

Adjustable Pinhole Mount

This Adjustable Mount is particularly useful for spatial filter applications as it enables pinholes to be removed or replaced without having to disturb other components in the assembly. The mount accepts any 16 mm diameter pinholes, retaining them in the cell with a bayonet-fitting retaining ring. Vertical and horizontal alignment of the cell is achieved using the two cap-headed adjustment screws which each have a travel of ±1 mm. The Adjustable Pinhole Mount is available in metric and inch versions.

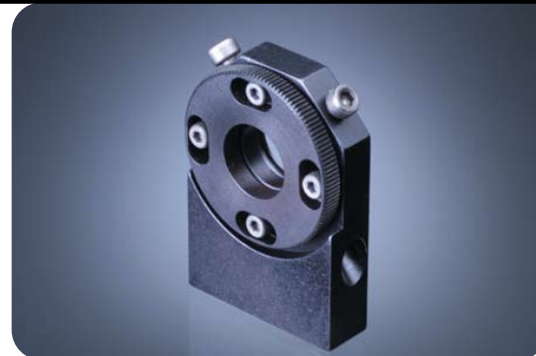
Threaded Precision Pinhole Holder

This holder accepts the Ealing mounted 25 mm diameter precision pinholes. The mounted pinholes fit directly into the holder and are held against a flange by means of a retaining ring.

The holder is threaded with an RMS (0.8 inch x 36TPI) thread which will fit directly into any standard microscope objective fitting.

Pinhole Mounts

Catalog Number	Description	A	B	C	Price US
53-1129	Adjustable Pinhole Mount	M3	25 mm	30 mm	\$149.00
61-1129	Adjustable Pinhole Mount	8-32	1 inch	1.25 inch	\$149.00

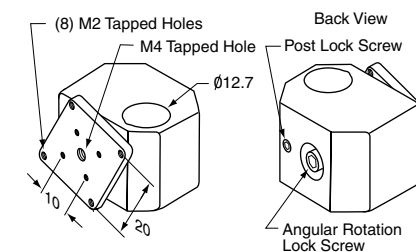


Multi-Purpose Swivel Clamp for Half-inch Posts

- **Swivel Clamps for half-inch posts**
- **Mounts MicroMech positioners at any angle on a post**
- **Ideal for low cost beam steering units**



Micropositioners or component mounts such as mirror mounts can be mounted onto these swivel clamps and locked at any angle.



Multi-Purpose Swivel Clamp

Catalog Number	Description	Price US
53-3778	MicroMech Multi-purpose Swivel Clamp, 12.7mm posts	\$65.00