

## Optics

Lenses & Microscope Components

Coatings

Mirrors & Beamsplitters

Prisms & Polarizers

Filters

Pinholes

## Opto-mechanics

Rails

Mounting Hardware

Mirror & Component Mounts

Manual Micro Positioners

Motorized Positioners

## Optical Instruments

Microscopes

Light Sources



# Mirror & Component Mounts

<b>Mirror Mounts</b>	<i>How They Go Together</i>	<i>118</i>
	<i>Precise Mirror Mounts</i>	<i>119-120</i>
	<i>Precise Thin Optic Mounts</i>	<i>121</i>
	<i>Kinematic Mirror Mounts</i>	<i>122</i>
	<i>TopAdjust Mirror Mounts</i>	<i>123-125</i>
<b>Beam Steering Devices</b>	<i>Beam Steering Devices</i>	<i>126</i>

<b>Component Mounts</b>	<i>How They Go Together</i>	<i>128</i>
<b>Lens Mounts</b>	<i>Lens Mounts - Fixed Threaded</i>	<i>129</i>
<b>Polarizer Mounts</b>	<i>Polarizer Mounts and Adapters</i>	<i>129</i>
<b>Filter Mounts</b>	<i>Stackable Filter Holders</i>	<i>131</i>
	<i>Modular Filter Wheels</i>	<i>132</i>
	<i>ND Indexed Wheels</i>	<i>133</i>
<b>Prism Tables &amp; Platforms</b>	<i>Prism Tables</i>	<i>134</i>
	<i>Kinematic Prism Platforms</i>	<i>135</i>
<b>Aperture &amp; Pinhole Mounts</b>	<i>Mounted Iris Diaphragms</i>	<i>136</i>
	<i>Rectangular Apertures</i>	<i>137</i>

## Optics

Lenses & Microscope Components

Coatings

Mirrors & Beamsplitters

Prisms & Polarizers

Filters

Pinholes

## Opto-mechanics

Rails

Mounting Hardware

Mirror & Component Mounts

Manual Micro Positioners

Motorized Positioners

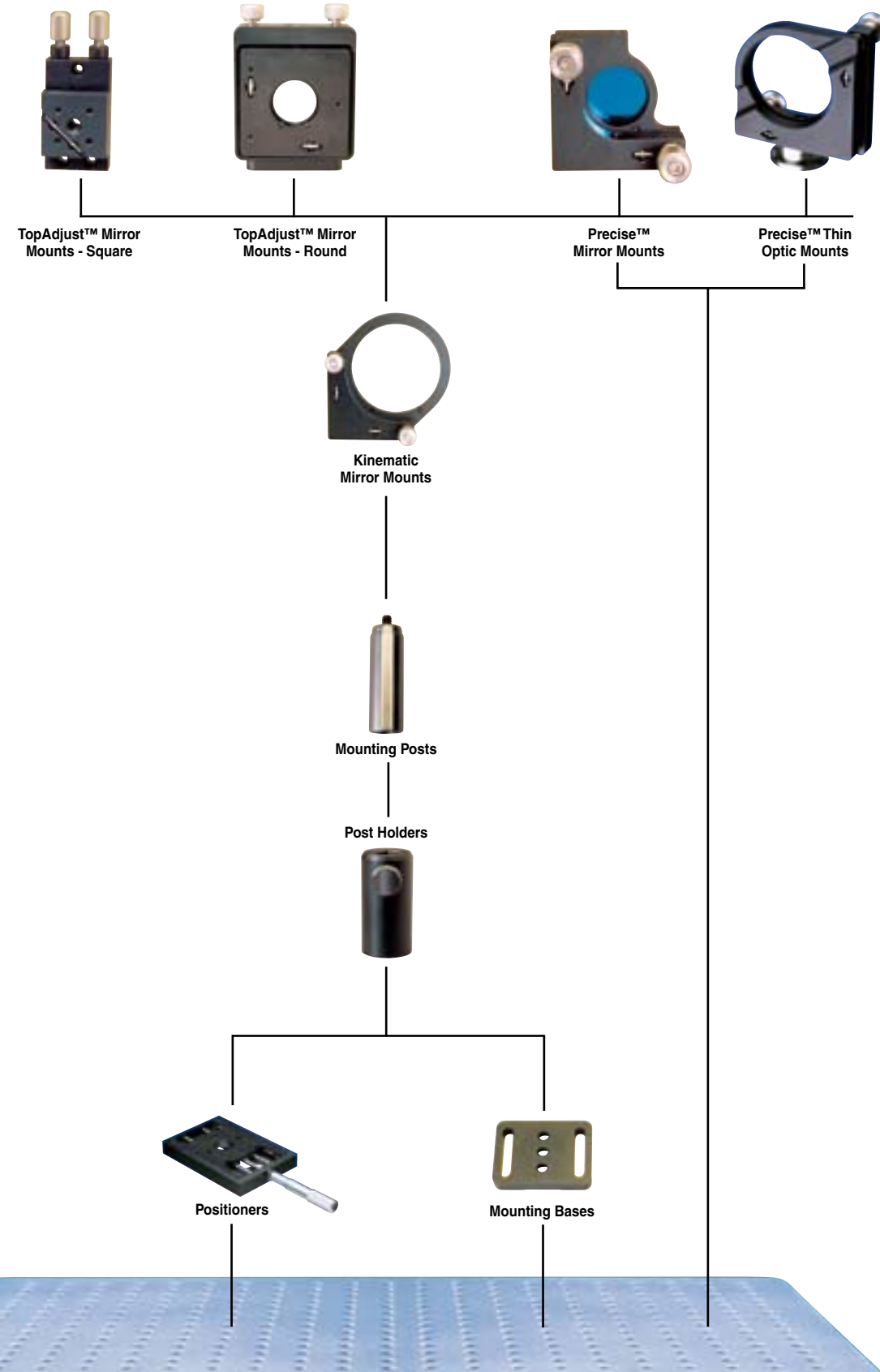
## Optical Instruments

Microscopes

Light Sources

# Mirror Mounts

How They Go Together...



# Precise™ Mirror Mounts

- L-shaped back plate maximizes clear aperture at 45 degrees
- Kinematic design for 25.4 mm round mirrors
- Cutaway design
- 100 threads per Inch adjusters with hex key option
- Allen key adjusters
- Positive nylon tipped mirror locking screw



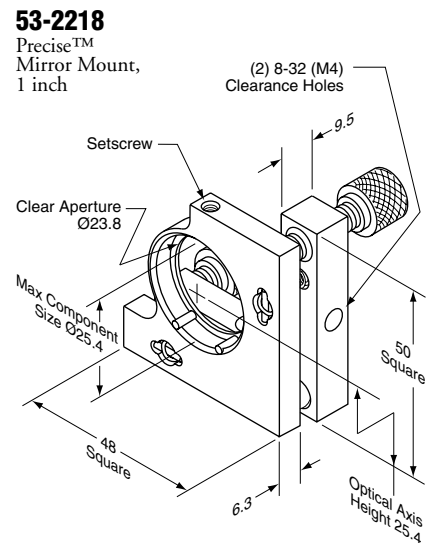
These popular 1 inch Mirror Mounts are designed to accept round, front surface mirrors or beamsplitters up to 25.4 mm diameter. Holes provided in the back plate are designed for universal mounting on almost all hardware. The M4 (8-32) clearance mounting holes are positioned directly below the center of the mirror mounted.

These mounts can be bottom mounted on a Half-inch Post, or StablePillar™ or one of two riser blocks described in the side bar. Alternatively, they can be side mounted on a rod system carrier. Mirrors are retained in the mount by two delrin inserts and a nylon tipped set screw. A range of adapters are available for mounting smaller mirrors and optics.

An OEM version of the Precise 1 inch Mirror Mount is also available. This is exactly the same as the standard mount except the knurled stainless adjusters are replaced with more compact hex adjusters.

**Specifications**

- Angular Adjustment Range:  $\pm 10^\circ$
- Pivot Arm Length: 38 mm
- Actuator Thread Pitch: 100 TPI
- Angular Resolution or Sensitivity: 3.8 arcsec (0.001°)
- Clear Aperture: 23.8 mm
- Max Component Dia: 25.4 mm
- Optical Center Height: 25.4 mm



**Precise™ Mirror Mounts**

Catalog Number	Description	Max Optic Dia. (mm)	Optical Axis Height (mm)	Price US
53-2218	Precise™ Mirror Mount, 1 inch	25.4	25.4	\$79.00
53-2630	Precise™ Mirror Mount, 1 inch OEM	25.4	25.4	\$79.00

# Precise™ Mirror Mounts

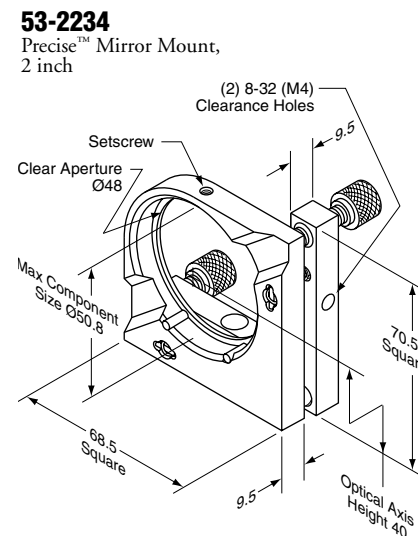
- **L-shaped back plate maximizes clear aperture at 45 degrees**
- **Kinematic design for 50.8 mm (2 inch) round mirrors**
- **100 Threads per Inch adjusters with hex key option**
- **Positive nylon tipped mirror locking screw**



These Ealing Precise™ Mirror Mounts are designed to accept round, front surface mirrors or beamsplitters of up to 50.8 mm (2 inch) maximum diameter. These elegant new kinematic mirror mounts provide a stable and accurate method of mounting round optics. The holes provided in the L-shaped back plate are designed for universal mounting on almost all hardware. The M4 (8-32) clearance mounting holes are positioned directly below the center of the mirror mounted.

These mounts can be bottom mounted on a Half-inch Post, described below. Alternatively, they can be side mounted on a rod carrier. Mirrors are retained in the mount by two delrin inserts and a nylon tipped set screw. A range of adapters are available for mounting smaller mirrors down to 25 mm in diameter.

An OEM version of the Precise 2 inch Mirror Mount is also available. This is exactly the same as the standard mount except the knurled stainless adjusters are replaced with more compact hex adjusters.



## Precise™ Mirror Mounts

Catalog Number	Description	Max Component Dia. (mm)	Optical Axis Height (mm)	Price US
53-2234	Precise Mirror Mount, 2 inch	50.8	40.0	\$98.00
53-2648	Precise Mount, 2 inch OEM	50.8	40.0	\$98.00

# Precise™ Thin Optic Mounts

- **Threaded to allow mounting of thin optics**
- **L-shaped back plate maximizes clear aperture at 45 degrees**
- **100 threads per inch adjusters**
- **Hex key adjusters**
- **Hard inserts for long life**
- **Affordably priced**

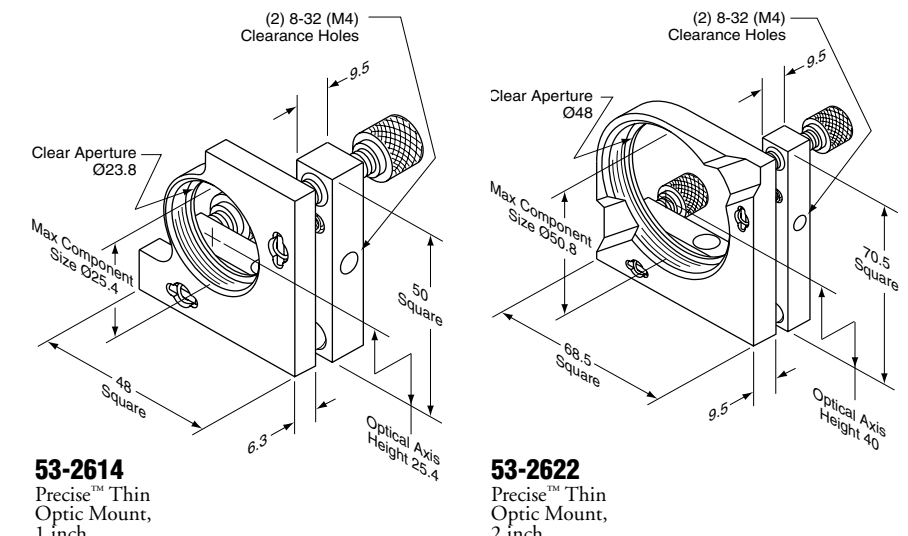


The Ealing Precise™ Thin Optic Mounts are very similar to the standard Precise™ mirror mounts except these are designed specifically to accept thin, round, front surface mirrors or beamsplitters. Two sizes are available to accept either 1 inch or 2 inch diameter optics.

These new mounts provide an excellent, stable and accurate method of mounting thin, round optics. Both mounts incorporate an L-shaped backplate, this is designed to provide the maximum clear aperture at 45 degrees for 1 inch or 2 inch diameter beamsplitters or thin mirrors. Optics are retained in the mount by means of a threaded retaining ring that can be tightened using a spanner wrench.

The clearance mounting holes provided in the L-shaped back plate are designed for universal mounting on almost all manufacturer's hardware – these M4 (8-32) clearance mounting holes are positioned directly below the center of the optic mounted.

Precise Thin Optic Mounts can be mounted on Half-inch posts.



**53-2614**  
Precise™ Thin Optic Mount, 1 inch

**53-2622**  
Precise™ Thin Optic Mount, 2 inch

## Precise™ Thin Optic Mounts

Catalog Number	Description	Max Optic Dia. (mm)	Optical Axis Height (mm)	Price US
53-2614	Precise Thin Optic Mount, 1 inch	25.4	25.0	\$129.00
53-2622	Precise Thin Optic Mount, 2 inch	50.8	40.0	\$149.00

Optics

Lenses & Microscope Components

Coatings

Mirrors & Beamsplitters

Prisms & Polarizers

Filters

Pinholes

Opto-mechanics

Rails

Mounting Hardware

Mirror & Component Mounts

Manual Micro Positioners

Motorized Positioners

Optical Instruments

Microscopes

Light Sources

Optics

Lenses & Microscope Components

Coatings

Mirrors & Beamsplitters

Prisms & Polarizers

Filters

Pinholes

Opto-mechanics

Rails

Mounting Hardware

Mirror & Component Mounts

Manual Micro Positioners

Motorized Positioners

Optical Instruments

Microscopes

Light Sources

# Kinematic Mirror Mounts

- Kinematic one-piece design specifically for round mirrors or beamsplitters
- Finger cut-outs designed for easy removal of mirrors
- 80 threads per inch adjusters
- Positive nylon tipped mirror locking screw
- Hex key adjusters



# TopAdjust™ Mirror Mounts

- 1 Inch Square
- Patented low backlash double ball bearing design
- Both tip and tilt controls are top mounted to avoid beam contact
- Base or post mountable
- High sensitivity
- Lockable adjusters - ideal for OEM applications



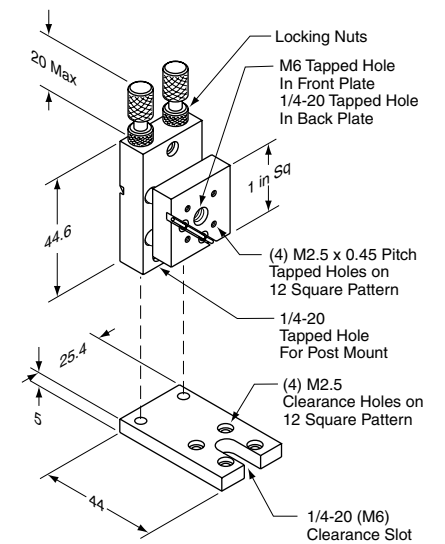
These Ealing Kinematic Mirror Mounts are designed to accept round, front surface mirrors or beamsplitters of either 3 inch or 4 inch diameter. These simple new mirror mounts provide an excellent, stable and accurate method of mounting large round optics. Mirrors are retained in the mount by two delrin inserts and a nylon tipped set screw. The holes provided are designed for universal mounting on almost all hardware.

The M4 (8-32) clearance mounting holes are positioned directly below the center of the mirror mounted. These mounts can be bottom mounted on a post or alternatively they can be side mounted on a rod system.

A unique high resolution adjustment system with vertically-mounted controls makes these kinematic mirror mounts particularly valuable for use where access is restricted or where it is necessary to keep the operator's hands away from the optical path, as with high power laser systems. The fine pitch adjusting screws are fitted with knurled locking rings to prevent accidental movement once set in place.

TopAdjust™ Mirror Mounts are available with bases for metric or inch table mounting, or without bases for post-mounted applications. Where bases are fitted, these may be reversed allowing the mirror to face the inside or outside of their brackets. Mirrors may easily be bonded to the face plates of the mirror mounts using the self-adhesive pads which are supplied.

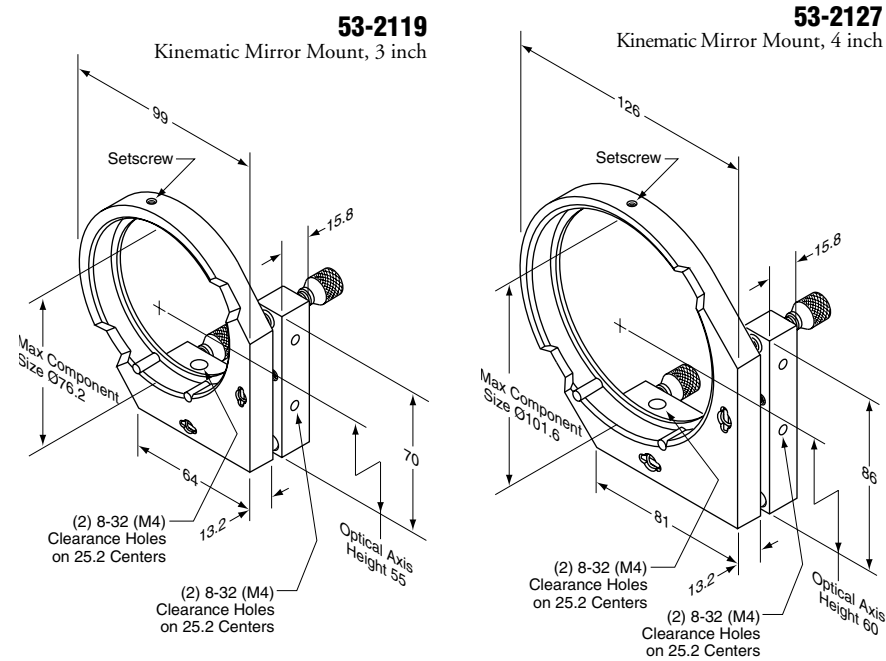
**37-4777/22-8643**  
TopAdjust™ Mirror Mount



Patented low backlash double ball bearing design

TopAdjust™ Mirror Mounts

Catalog Number	Description	Price US
37-4777	TopAdjust™ Mirror Mount, 1 Inch Square Post Mountable	\$119.00
22-8643	TopAdjust™ Mirror Mount, 1 Inch Square Base Mounted	\$129.00



Kinematic Mirror Mounts

Catalog Number	Description	Clear Aperture (mm)	Max Component Dia D (mm)	Price US
53-2119	Kinematic Mirror Mount, 3 inch	73.0	76.2	\$159.00
53-2127	Kinematic Mirror Mount, 4 inch	97.5	101.6	\$229.00

## Specifications (3 inch mount)

- Angular Adjustment Range:  $\pm 3^\circ$
- Pivot Arm Length: 56 mm
- Actuator Thread Pitch: 80 TPI
- Angular Resolution or Sensitivity: 3.2 arcsec (0.0009°)
- Clear Aperture: 73.0 mm
- Max Component Dia: 76.2 mm
- Optical Center Height: 55.0 mm

## Specifications (4 inch mount)

- Angular Adjustment Range:  $\pm 2.5^\circ$
- Pivot Arm Length: 70 mm
- Actuator Thread Pitch: 80 TPI
- Angular Resolution or Sensitivity: 2.6 arcsec (0.0007°)
- Clear Aperture: 97.5 mm
- Max Component Dia: 101.6 mm
- Optical Center Height: 70.0 mm

Optics

Lenses & Microscope Components

Coatings

Mirrors & Beamsplitters

Prisms & Polarizers

Filters

Pinholes

Opto-mechanics

Rails

Mounting Hardware

Mirror & Component Mounts

Manual Micro Positioners

Motorized Positioners

Optical Instruments

Microscopes

Light Sources

Optics

Lenses & Microscope Components

Coatings

Mirrors & Beamsplitters

Prisms & Polarizers

Filters

Pinholes

Opto-mechanics

Rails

Mounting Hardware

Mirror & Component Mounts

Manual Micro Positioners

Motorized Positioners

Optical Instruments

Microscopes

Light Sources

# TopAdjust™ Mirror Mounts

- 1.5 Inch, 2 Inch and 3 Inch Square
- Patented low backlash double ball bearing design
- Both tip and tilt controls are top mounted to avoid beam contact
- Lockable adjusters - ideal for OEM applications

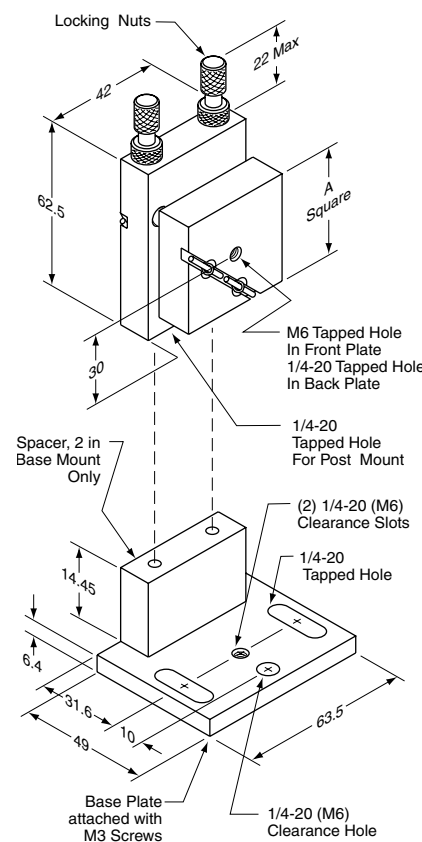


# TopAdjust™ Mirror Mounts

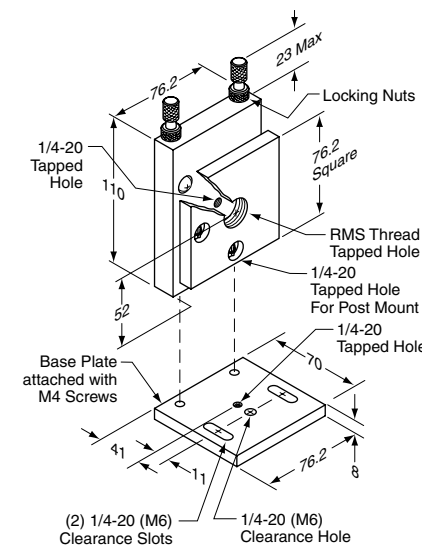
- 1 Inch and 1.5 Inch Round Optics
- Top adjustable to avoid obscuring beam
- 20 mm thick main body for excellent rigidity
- Kinematic designs specifically for round 25.4 mm (1 inch) and 38.1 mm (1.5 inch) mirrors
- Compatible with industry standard 8-32 (M4) mounting
- Anodized black aluminum construction with stainless steel adjusters



37-4785/22-8668/37-4793/22-8676  
TopAdjust™ Mirror Mount, 1.5 and 2 inch



37-4801/22-8684  
TopAdjust™ Mirror Mount, 3 inch



A high resolution unique adjustment system with vertically-mounted controls makes these kinematic mirror mounts particularly valuable for use where access is restricted or where it is necessary to keep the operator's hands away from the optical path, as with high power laser systems. The fine pitch adjusting screws are fitted with knurled locking rings to prevent accidental movement once set in place.

TopAdjust™ Mirror Mounts are available with bases for metric and inch table mounting, or without bases for post-mounted applications. Where bases are fitted, these may be reversed allowing the mirror to face the inside or outside of the brackets.

Mirrors may be quickly and easily bonded to the face plates of the mirror mounts using self-adhesive pads which are supplied.

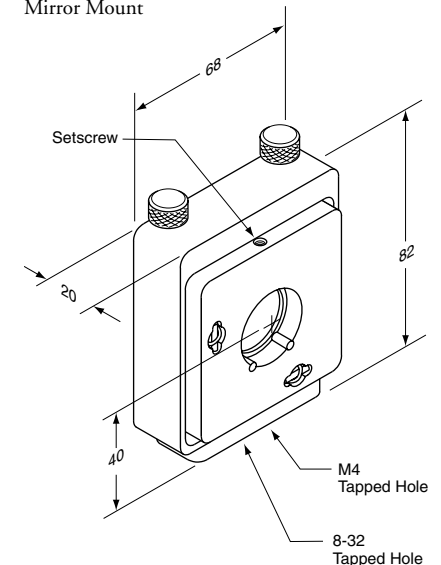
## TopAdjust™ Mirror Mounts

Catalog Number	Description	A (inch)	Price US
37-4785	TopAdjust Mirror Mount, 1.5 inch Square Post Mounted	1.5	\$97.65
22-8668	TopAdjust Mirror Mount, 1.5 inch Square Base Mounted	1.5	\$118.65
37-4793	TopAdjust Mirror Mount, 2 inch Square Post Mounted	2.0	\$96.60
22-8676	TopAdjust Mirror Mount, 2 inch Square Base Mounted	2.0	\$116.55
37-4801	TopAdjust Mirror Mount, 3 inch Square Post Mounted		\$229.00
22-8684	TopAdjust Mirror Mount, 3 inch Square Base Mounted		\$249.00

These TopAdjust™ Mounts are designed to accept round optics of 25.4 mm (1 inch) or 38.1 mm (1 1/2 inch) in diameter.

TopAdjust mounts are designed to avoid the user obscuring the beam while adjusting the mirror. The 8-32 (M4) threaded holes provided in the base are positioned on the center axis of the mounted optic and are designed for universal mounting on almost all articular these mounts are well suited to mounting on mounting posts.

53-2432/53-2440  
TopAdjust™ Round Mirror Mount



## Specifications

Angular Adjustment Range:  $\pm 2^\circ$   
Angular Resolution or Sensitivity: 7.2 arcsec (0.002°)

## TopAdjust™ Mirror Mounts

Catalog Number	Description	Max Optic Dia. (mm)	Price US
53-2432	TopAdjust™ Mirror Mount for 1.0 inch Round Optics	25.4	\$98.00
53-2440	TopAdjust™ Mirror Mount for 1.5 inch Round Optics	38.1	\$195.00

# Beam Steering Devices

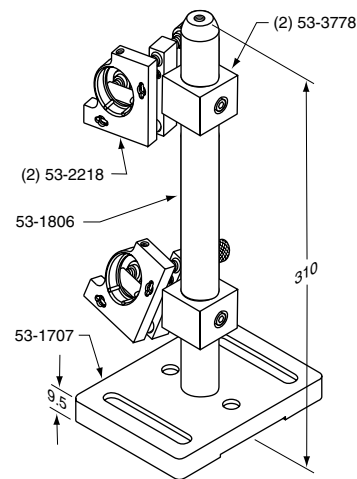
- Ideal for steering beams to a different optical centerline height
- Based on standard components
- Mirror mounts allow any type of coated mirror to be mounted
- Low cost version



This new beam steering assembly is based on low cost standard components from our range of hardware and mirror mounts. This makes it extremely affordable and very flexible in its application.

The Low Cost Beam Steering assembly utilizes two precise mirror mounts, a 300 mm half-inch post, wide post base and two general-purpose swivel clamps. The precise mirror mounts will accept any 25.4mm diameter mirrors from our range of laser optics.

**53-4099**  
Low Cost Beam Steering Assembly

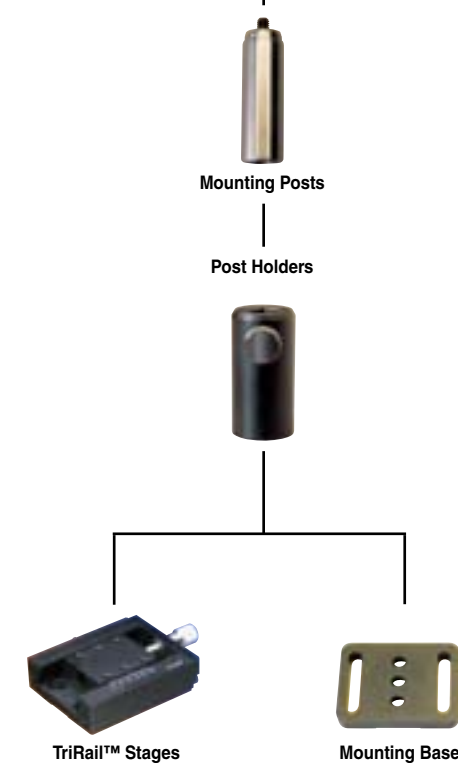
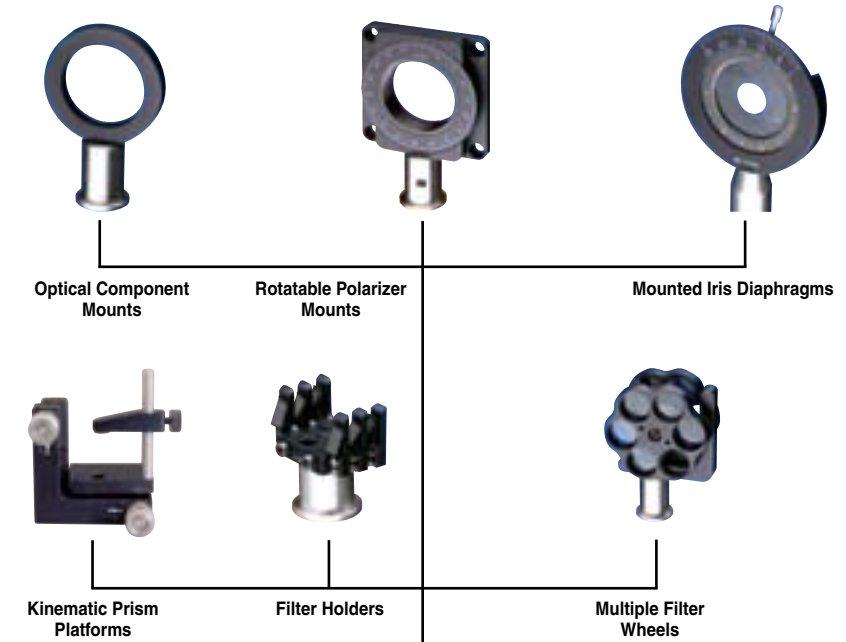


## Beam Steering Devices

Catalog Number Metric	Description	Price US
53-4099	Low Cost Beam Steering Assembly, metric	\$329.00

# Component Mounts

How They Go Together...



Optics

Lenses & Microscope Components

Coatings

Mirrors & Beamsplitters

Prisms & Polarizers

Filters

Pinholes

Opto-mechanics

Rails

Mounting Hardware

Mirror & Component Mounts

Manual Micro Positioners

Motorized Positioners

Optical Instruments

Microscopes

Light Sources

Optics

Lenses & Microscope Components

Coatings

Mirrors & Beamsplitters

Prisms & Polarizers

Filters

Pinholes

Opto-mechanics

Rails

Mounting Hardware

Mirror & Component Mounts

Manual Micro Positioners

Motorized Positioners

Optical Instruments

Microscopes

Light Sources

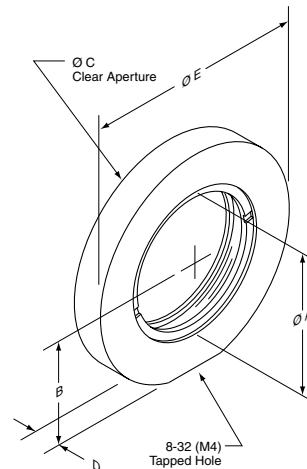
## Fixed Lens Mounts – Threaded

- Fixed position threaded optic holders
- Compact design ideal for mounting thin lenses, windows, or beamsplitters
- Ideal for small lenses of 12.5 mm, 25 mm, and 50 mm diameter
- 8-32 and M4 threaded versions
- Economically priced



Thin lenses or beamsplitters of half-inch, one inch, and two inch diameter can be held in these versatile Component Mounts. The optical component is secured in place by a soft-faced threaded ring. This ring can be tightened using a spanner wrench tool. (Spanner Wrench Sets are described in the Accessories Section.) Thin Lens Mounts can be supported by a standard Half-inch Mounting Post (not supplied).

Fixed Lens Mount



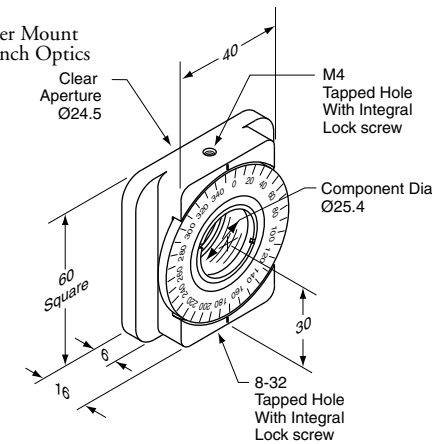
## Polarizer Mounts

- Rotary mount for polarization optics
- 25 mm
- Integral lock screws
- 8-32 or M4 mounting
- 360 degree scale graduated in 2 degree increments

Specifications:	25mm Mount
Optical Center Height:	30 mm
Clear Aperture:	24.5 mm
Maximum Component Diameter:	25.4 mm
Minimum Component Diameter:	25.0 mm
Rotation Range:	360°
Resolution:	2°



**53-2655**  
Rotatable Polarizer Mount for 25 mm or 1 inch Optics



Ealing Polarizer Mounts are available in two different sizes, designed to accept round polarizers that are 25 mm (1 inch) in diameter. This mount is rotatable through a full 360 degrees and has graduated scales in two degree increments. The rotatable part of the mount can be firmly locked at any chosen angle by means of an integral

locking screw found inside the unused threaded mounting hole. Threaded M4 and 8-32 holes are provided for mounting on a Half-inch Post.

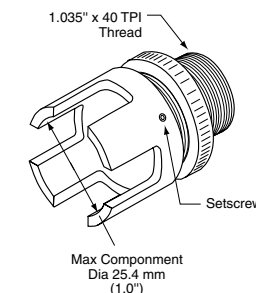
Polarizing prisms and beamsplitters can be held in the mount using a range of holders and adapters supplied separately.

### Polarizer Mounts

Catalog Number	Description	Price US
53-2655	Rotatable Polarizer Mount for 25 mm or 1 inch Optics	\$89.00

## Polarizer Adapters

- Designed to hold cylindrically mounted calcite polarizing optics
- Knurled lock rings for easy orientation
- Soft faced set screws to positively hold optics



**53-3612**  
Polarizer Adapter for 25.4 mm Diameter Cylindrical Optics

This adapter is designed to hold the cylindrically mounted calcite optics, beamsplitters and prisms found in the optics section of this catalog.

The 53-3612 polarizer adapter is designed to hold 25.4 mm diameter cylindrically mounted optics, it has a 1.035" x 40 tpi male thread and locknut allowing it to be mounted in the 53-2655 one inch Polarizer Mount.

### Polarizer Adapters

Catalog Number	Description	Price US
53-3612	Polarizer Adapter for 25.4 mm Dia Cylindrical Optics	\$94.00

### Fixed Lens Mounts – Threaded

Catalog Number	Description	A (mm)	B (mm)	C (mm)	D (mm)	E (mm)	Max Component Thickness (mm)	Mounting Thread	Price US
53-2804	Fixed Threaded Optic Holder 12.5 mm/0.5 inch Dia., Metric	12.8	15.0	11.20	8.0	31.8	5.0	M4	\$24.00
61-2804	Fixed Threaded Optic Holder 12.5 mm/0.5 inch Dia., Inch	12.8	15.0	11.20	8.0	31.8	5.0	8-32	\$24.00
53-2812	Fixed Threaded Optic Holder 25 mm/1 inch Dia., Metric	25.5	21.8	23.70	9.5	44.5	6.5	M4	\$24.00
61-2812	Fixed Threaded Optic Holder 25 mm/1 inch Dia., Inch	25.5	21.8	23.70	9.5	44.5	6.5	8-32	\$24.00
53-2820	Fixed Threaded Optic Holder 50 mm/2 inch Dia., Metric	50.8	34.5	49.80	9.5	69.8	6.5	M4	\$24.00
61-2820	Fixed Threaded Optic Holder 50 mm/2 inch Dia., Inch	50.8	34.5	49.80	9.5	69.8	6.5	8-32	\$24.00

# Mounted Iris Diaphragms

- Now with graduated scales
- Threaded stud for post mounting
- Metric and Inch versions available
- Continuously variable iris



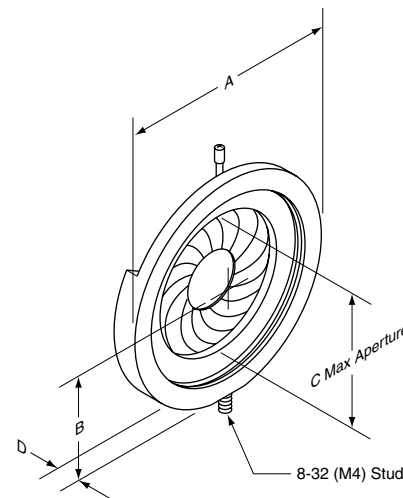
# Filter Holders

- New stackable filter holder
- Spring clips to hold filters without damage
- Mounts to Half-inch Posts
- Designs to hold square or round filters



The Ealing range of Mounted Iris Diaphragms are lever operated and offer a continuous variable diameter aperture in a range of four sizes. Two versions are available, a standard and unmounted iris diaphragms which have a minimum closed aperture and a new zero aperture. They are supplied in a black anodized aluminum mount which has a laser engraved scale indicating aperture size. The fixed stud in their base is either M4 or 8-32 (catalog numbers prefixed by 53- have metric M4 studs while 61- denotes an 8-32 inch thread). They can be mounted on a Half-inch Post. Unmounted Iris Diaphragms are listed in the sidebar opposite.

## Mounted Iris Diaphragms



## Unmounted Iris Diaphragms

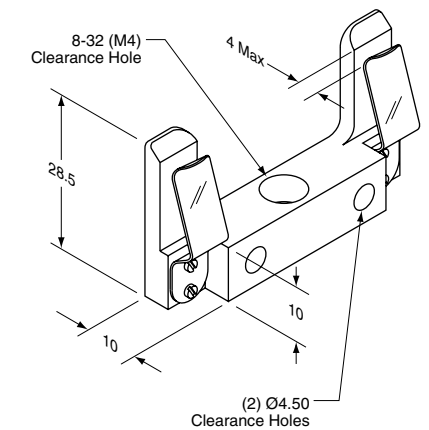
In addition to Mounted Iris Diaphragms we also offer a range of Unmounted Iris Diaphragms listed below.

Catalog Number	Aperture Max./Min. (mm)	Outside Dia.	Price US
53-1988	12.0/0.8	19.8	\$30.00
53-1996	25.0/0.8	37.0	\$38.00
53-2002	36.0/1.2	50.0	\$47.00
53-2010	50.0/2.0	70.0	\$104.00

Ealing's post mountable Stackable Filter Holder accepts square 50 mm (2 inch) filters of up to 4 mm thickness. This filter holder is supplied with hardware that enables it to be stacked with up to three identical filter holders. This enables combinations of up to three filters to be held in the same mount.

The stackable filter holder has a central clearance hole for mounting directly to any M4 or 8-32 tapped hardware, such as Ealing half-inch posts, MicroMech™ stages and more.

## 53-2875 Filter Holder, Stackable



## Mounted Iris Diaphragms - Standard

Catalog Number	Description	A (mm)	B (mm)	Max Aperture C (mm)	Min Aperture (mm)	D (mm)	Price US
53-2473	Mounted Iris Diaphragm, 12 mm Dia, Metric	30.0	14.5	12.0	0.8	6	\$42.00
61-2473	Mounted Iris Diaphragm, 12 mm Dia, Inch	30.0	14.5	12.0	0.8	6	\$42.00
53-2481	Mounted Iris Diaphragm, 25 mm Dia, Metric	47.0	23.0	25.0	0.8	6.5	\$59.00
61-2481	Mounted Iris Diaphragm, 25 mm Dia, Inch	47.0	23.0	25.0	0.8	6.5	\$59.00
53-2499	Mounted Iris Diaphragm, 36 mm Dia, Metric	60.0	29.5	36.0	1.2	7.5	\$79.00
61-2499	Mounted Iris Diaphragm, 36 mm Dia, Inch	60.0	29.5	36.0	1.2	7.5	\$79.00
53-2507	Mounted Iris Diaphragm, 50 mm Dia, Metric	80.0	39.5	50.0	2.0	9.0	\$149.00
61-2507	Mounted Iris Diaphragm, 50 mm Dia, Inch	80.0	39.5	50.0	2.0	9.0	\$149.00

## Filter Holders

Catalog Number	Description	Max. Filter Size	Price US
53-2875	Filter Holder, Stackable	50.8 x 50.8	\$32.00

# Modular Filter Wheels

- Base or post mountable designs
- Indexed 6 or 12 position wheels
- Single and dual wheel designs
- Designed for inch or half-inch optics



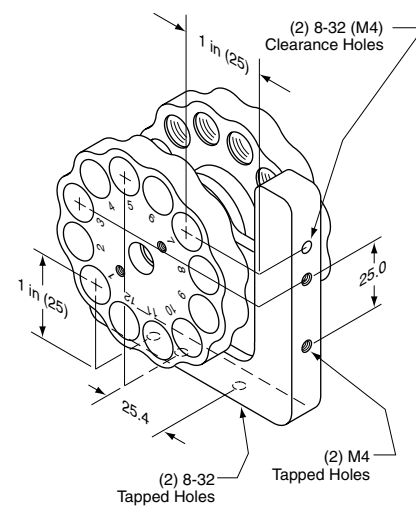
# Indexed ND Filter Wheel

- Rapid selection of desired beam attenuation
- Accurate, indexed ND positions
- Absorptive filters reduce etalon effects

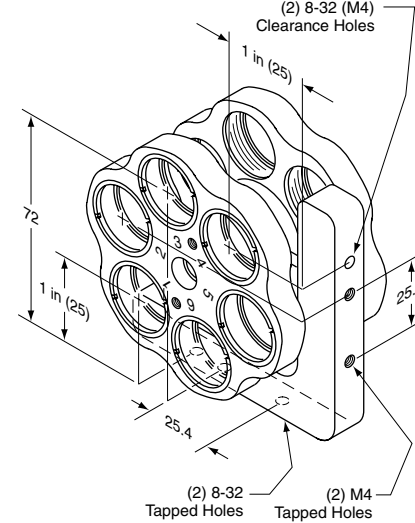


The Modular Filter Wheels accept up to two wheels. The interchangeable wheels have either 6 or 12 positions depending on whether they are intended for 25.4 mm (1 inch) or 12.7 mm (1/2 inch) diameter filters. These modular filter wheels have threaded cells and retaining rings to hold the filters positively in place. Single or dual wheel versions of both half-inch and one inch designs are available as well as extra wheels that can be added at any time. These modular Filter Wheels accept Ealing's round 25.4 mm or 12.7 mm diameter filters.

**53-9767**  
Dual 12 Position Modular Filter Wheel



**53-9742**  
Dual 6 Position Modular Filter Wheel

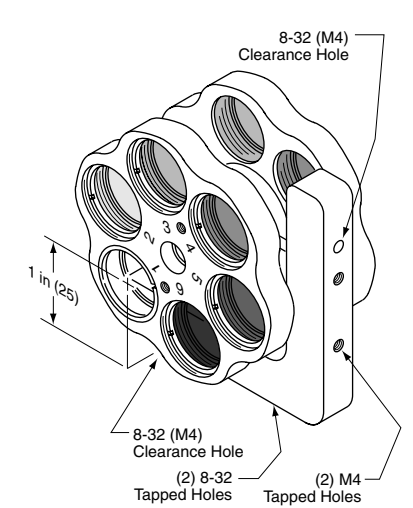


### Indexed Filter Wheels – Modular, Post Mountable

Catalog Number	Description	Price US
53-9775	Single 6 Position Modular Filter Wheel for 25.4 mm (1 inch) Diameter Filters	\$194.00
53-9742	Dual 6 Position Modular Filter Wheel for 25.4 mm (1 inch) Diameter Filters	\$291.90
53-9759	Single 12 Position Modular Filter Wheel for 12.7 mm (0.5 inch) Diameter Filters	\$215.25
53-9767	Dual 12 Position Modular Filter Wheel for 12.7 mm (0.5 inch) Diameter Filters	\$303.45
53-9783	Extra Wheel Kit for 6 Position Modular Filter Wheel	\$84.00
53-9791	Extra Wheel Kit for 12 Position Modular Filter Wheel	\$95.00

The Ealing Indexed Neutral Density Filter Wheel offers a convenient low cost alternative to the continuously variable filter wheels. This dual filter wheel contains 10 absorptive neutral density filters from the standard Ealing range. These filters combine to give a range of neutral densities from 0-4.0. The use of absorptive ND filters also avoids the concerns of multiple reflection or etalon effects.

**53-9809**  
Dual 6 Position Filter Wheel with Mounted ND Filters



### Filter Wheel Contents Showing Nominal Neutral Density Values

Position	Optical Density					
	1	2	3	4	5	6
Wheel 1	0	0.1	0.2	0.3	0.4	0.5
Wheel 2	0	0.6	1.0	2.0	3.0	4.0

### Indexed Neutral Density Filter Wheel

Catalog Number	Description	Price US
53-9809	Dual 6 Position Indexed Filter Wheel with Mounted ND Filters giving a Range of Neutral Densities from 0 to 4.0	\$522.00

# Prism Tables

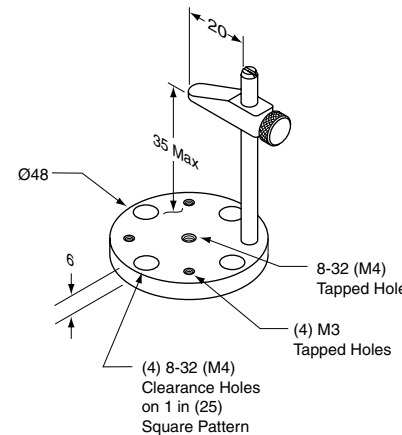
- Ideal for prisms or beamsplitters
- Soft hold down clamps



The MiniMech™ Prism Table may be obtained in metric or inch forms, and the MacroMech Prism Table has mounting holes to accommodate both types of hole pattern.

On each version, a height-adjustable cross-member or arm is used to hold the component in place under a pad of soft-faced material.

**74-3224/61-3224**  
MiniMech™ Prism Table



## Prism Tables

Catalog Number	Description	Price US
74-3224	MiniMech™ Prism Table, Metric	\$37.00
61-3224	MiniMech™ Prism Table, Inch	\$40.70

# Kinematic Prism Platforms

- Kinematic designs specifically for prisms and beamsplitters
- 8-32 (M4) mounting hole patterns
- 100 tpi threads per inch adjusters
- Allen key adjusters
- Clamp arm with soft rubber pad



The new Ealing Kinematic Prism and cube beamsplitter mounts are based on the same reliable design as the new Kinematic Mirror Mounts. They provide angular adjustments to allow precise alignment of prisms and beamsplitters in optical systems and experiments. There are two designs available. One is a 50 mm (2 inch) square platform that can be horizontally or vertically mounted. It accepts cubes or prisms up to 50 mm (2 inch) in size. The other is a more compact vertically mounted design that accepts up to 25 mm (1 inch) cubes and prisms.

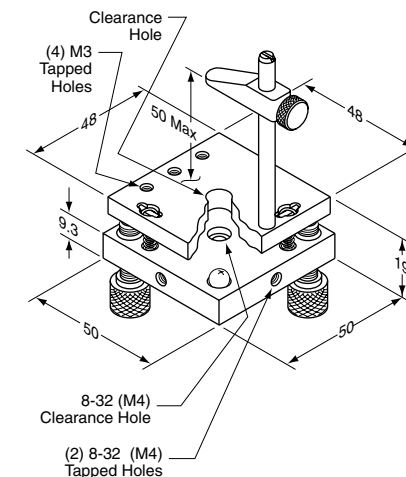
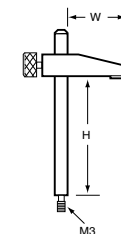
Either mount can be post mounted on our standard Half-inch Posts using M4 (8-32) screws and the clearance holes in the mount's base.

**Note:** Kinematic Prism Platforms are not supplied with clamp rod arms.

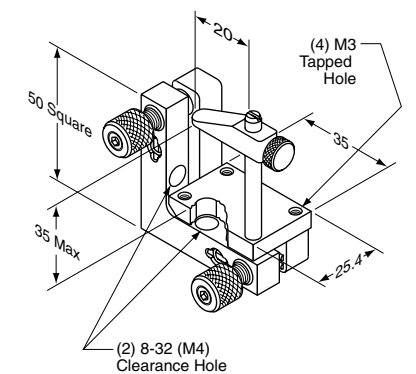
## Specifications

**Angular Adjustment Range:**  $\pm 10^\circ$   
**Pivot Arm Length:** 38 mm  
**Actuator Thread Pitch:** 100 TPI  
**Angular Resolution or Sensitivity:** 3.8 arcsec (0.001°)  
**Maximum Component Sizes -**  
 53-2259: 50 mm  
 53-2267: 25 mm

## Clamp Rod/Arm For Prisms/Beamsplitters



**53-2259**  
Kinematic Platform



**53-2267**  
Kinematic Prism/Beamsplitter Mount

## Kinematic Prism Platforms

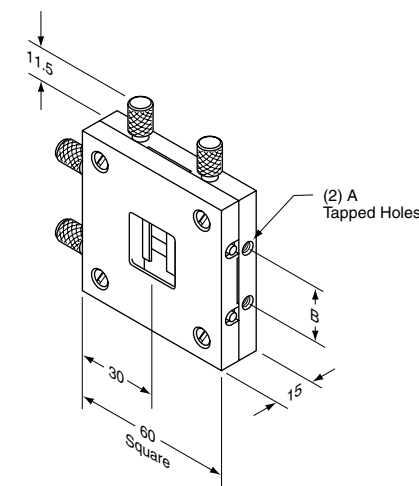
Catalog Number	Description	H (mm)	W (mm)	Price US
53-2259	Kinematic Platform			\$59.00
53-2267	Kinematic Prism/Beamsplitter Mount			\$64.00
53-2333	Short Clamp Rod/Arm for Prisms/Beamsplitters	35.0	20.0	\$12.00
53-2341	Tall Clamp Rod/Arm for Prisms/Beamsplitters	50.0	30.0	\$12.00

# Rectangular Apertures

- **Four Independent knife-edge blades**
- **Rectangular or square beam aperture**



Rectangular Apertures can be used to define the boundaries of an optical path or to mask out specific areas in an optical system, for example on a test target, monochromator, CCD or a detector. They are constructed from four independently-controlled brass knife edge jaws, that can be adjusted from fully closed to an area 12 mm square on the MiniMech unit. A separate friction drive to each jaw prevents overdrive and consequent damage to the knife edges. The MiniMech unit is available in metric and inch versions and can be mounted onto posts, bases, carriers and rails in the Ealing range.



**61/74-1137**  
MiniMech Rectangular Aperture, inch/Metric

## Specifications:

**Maximum Open Aperture**  
MiniMech Unit: 12 mm x 12 mm square

### Materials

**Body:** Anodized aluminum  
**Blades:** Brass

## Rectangular Apertures MiniMech and MicroMech sizes

Catalog Number	Description	A	B	Price US
74-1137	MiniMech Rectangular Aperture, Metric	M4	25	\$229.00
61-1137	MiniMech Rectangular Aperture, Inch	8-32	1 inch	\$229.00
23-1837	Replacement Blades for MiniMech Unit			\$98.00

**Notes**

### Optics

Lenses & Microscope Components

Coatings

Mirrors & Beamsplitters

Prisms & Polarizers

Filters

Pinholes

### Opto-mechanics

Rails

Mounting Hardware

Mirror & Component Mounts

Manual Micro Positioners

Motorized Positioners

### Optical Instruments

Microscopes

Light Sources