

Budget Stretchers

40%

off on ALL
TriRail products



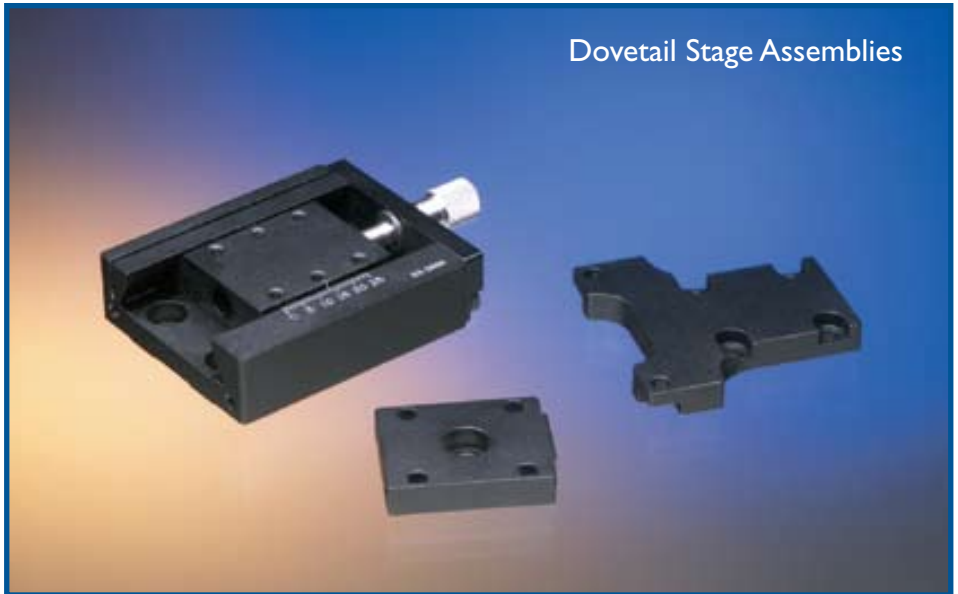
The fast easy set-up of optical elements using three different length rails, two size carriers and Universal 25mm stage. Your optical set-up is made simple and productive with the Ealing® TriRail products.


Ealing
CATALOG, INC.

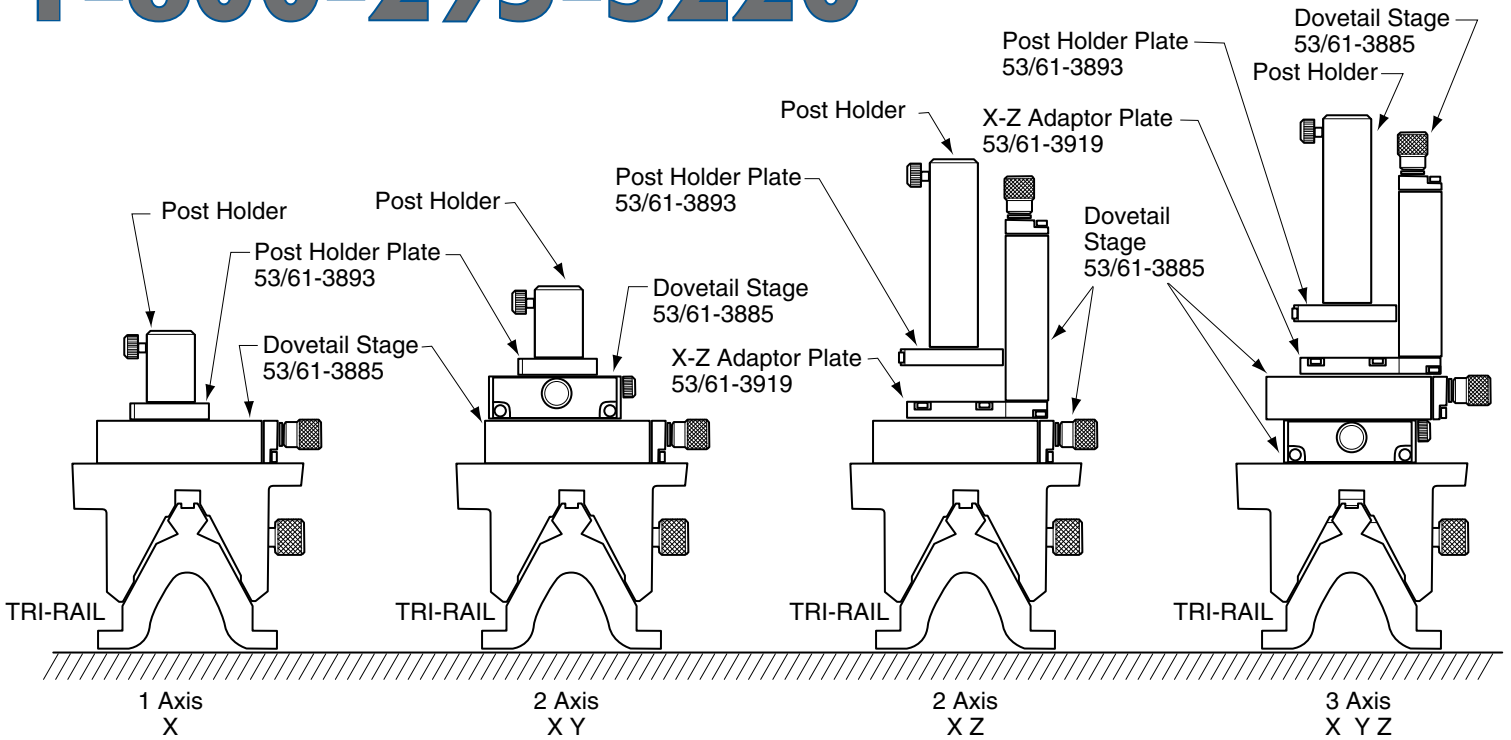
Ealing Catalog, Inc.
5718 Lonetree Blvd.
Rocklin, CA 95765
1-800-295-3220



www.ealingcatalog.com
TriRail Catalog pages



I-800-295-3220



1 Axis - X 2 Axis - XY 2 Axis - XZ 3 Axis - XYZ

TriRail (1/2m, 1m, 2m).....	X.....	X.....	X.....	X.....
TriRail Carrier (40mm, 65mm).....	X.....	X.....	X.....	X.....
Dovetail Stage (25mm travel)			2-x.....	2-x.....
Verticle Adapter Plate		X.....	X.....	X.....
Post Holder Adapter Plate	X.....		X.....	X.....
Post Holder (1" (25mm) - 6" (150mm)).....	X.....	X.....	X.....	X.....

(Part # 53 - Metric/ 61- inch)